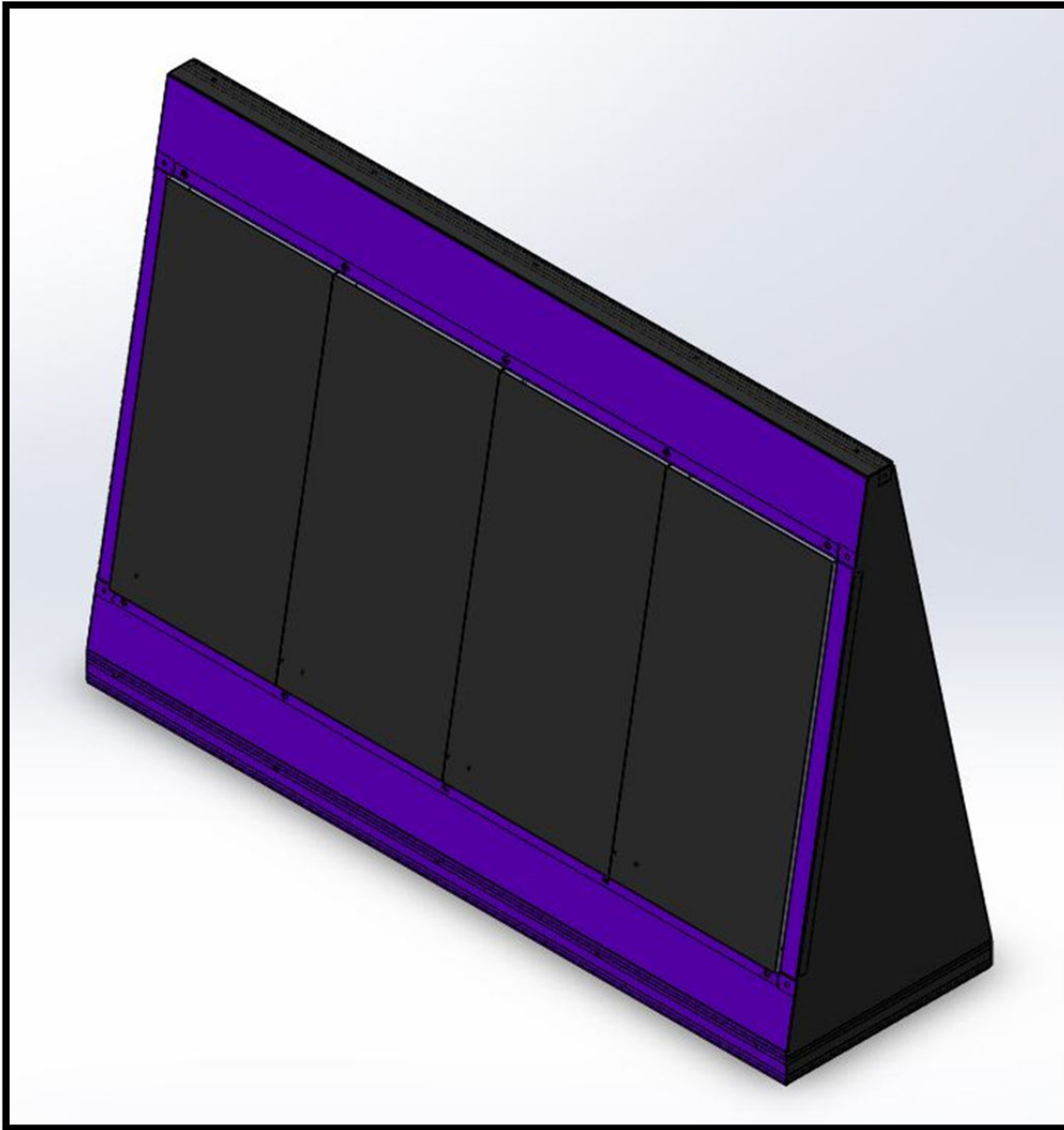


1-Sided Infield Video Display & Frame

Assembly Instructions

P/N FLD_DSPLY_1S



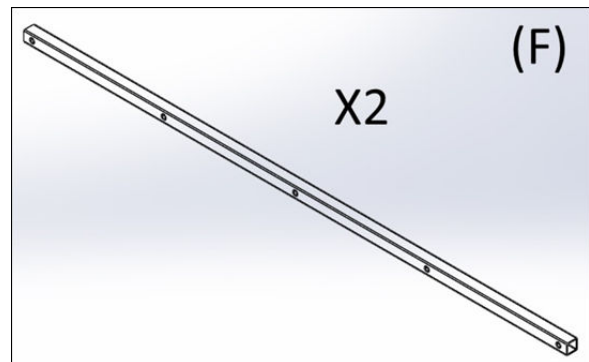
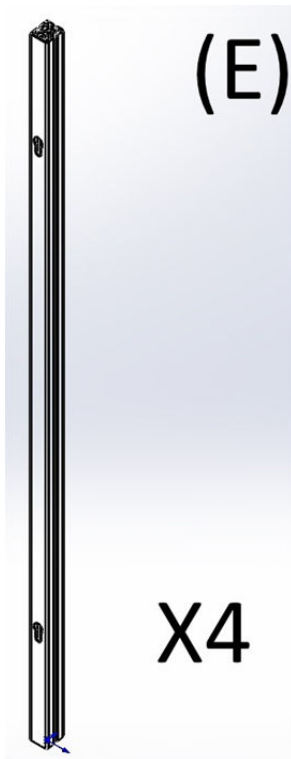
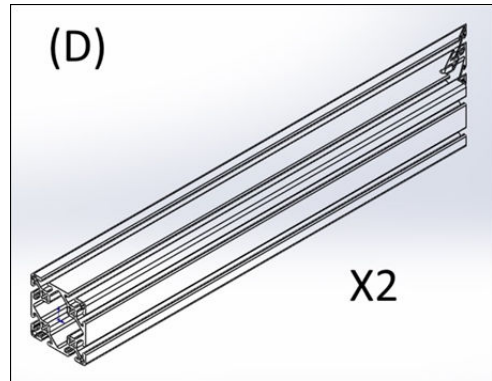
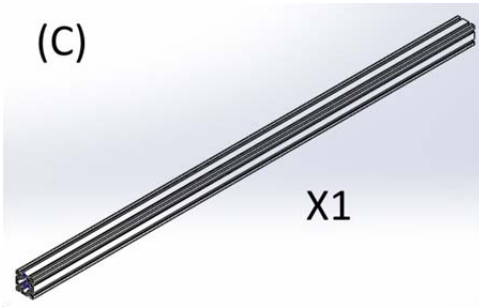
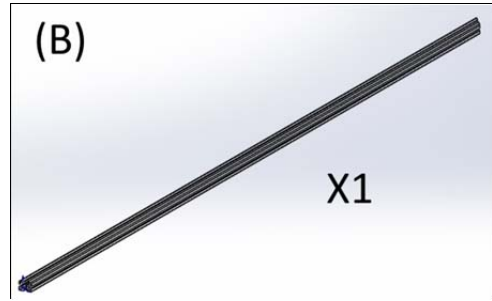
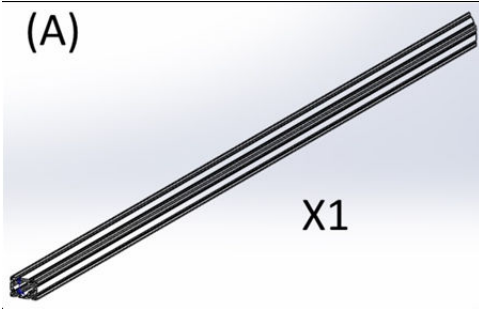
Required Tools



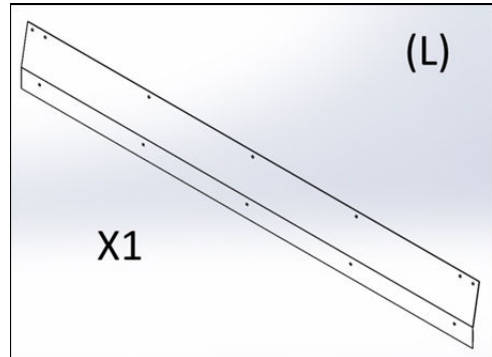
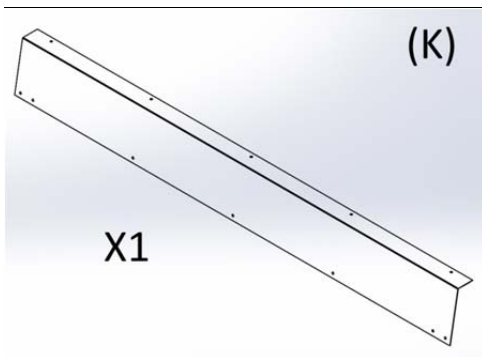
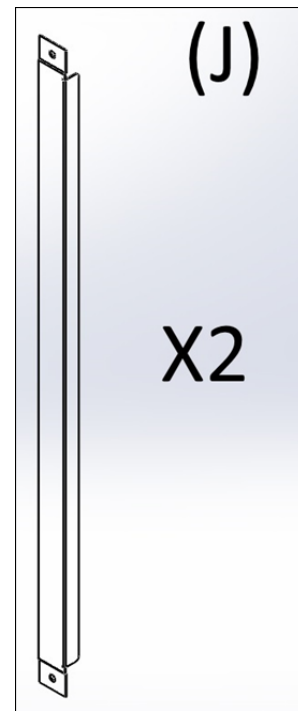
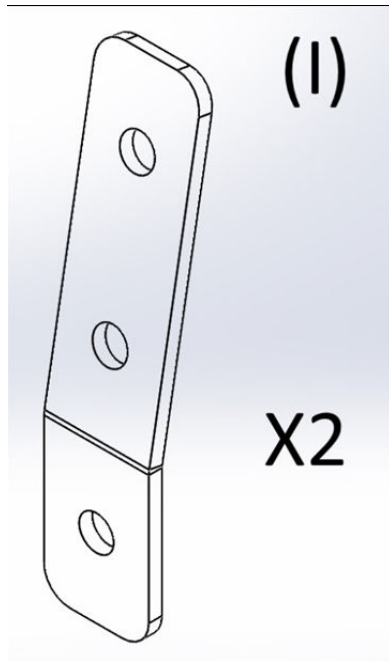
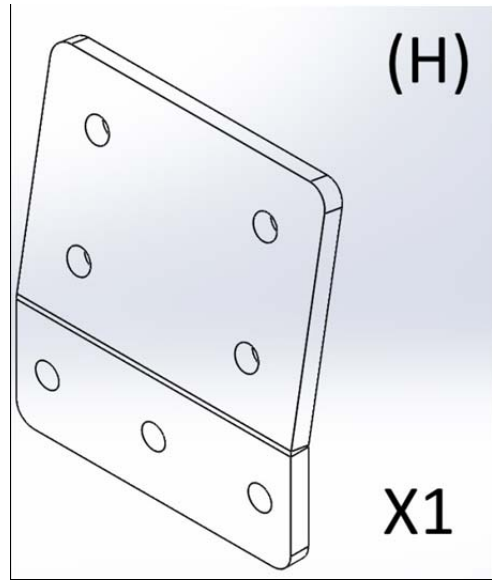
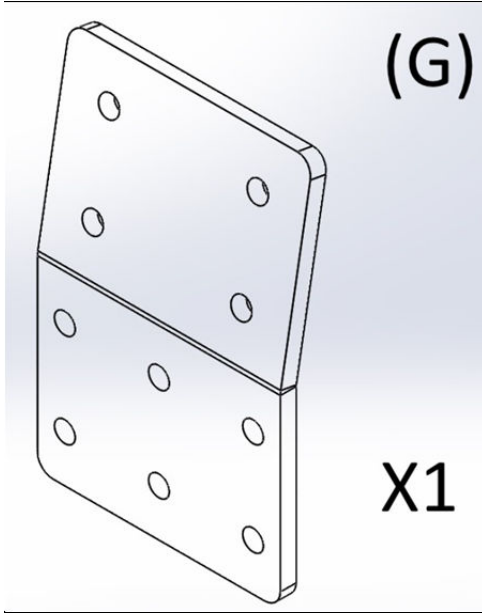
Bill of Materials

FLD_DSPLY_1S			
1 Sided Video Display & Frame			
Bill of Materials			
Item	Part Number	Description	Quantity
A	3030-LS-82_7-CL- 30DEG_MITERS	2MX1M Display Base Extrusion	1
B	1515-LS-82_7-CL-30DEG_MITERS	2MX1M Display Top Extrusion	1
C	3030-LS-76_7-CL	1-Sided Display Rear Leg Base	1
D	3030-LS-24-CL-CUSTOM_CUT	1-Sided Display 24" Support Leg	2
E	1503-LS-54-CL-CUSTOM_KEYHOLES	2MX1M Display Upright w/Keyholes	4
F	9700-78_39-CL-CROSSMEMBER	2MX1M Display Crossmember	2
G	902	2MX1M Display Upright Brace Bottom	1
H	901	2MX1M Display Upright Brace Top	1
I	908	2MX1M Single Display Upright Brace Top	2
J	909	2MX1M Display Filler Panel End Assembly	2
K	906	2MX1M Display Filler Panel Top	1
L	905	2MX1M Display Filler Panel Bottom	1
M	4338	Gusseted Inside Corner Bracket	4
N	4295	Slotted Inside Corner Bracket	10
O	13040	Roll-in T-Nut, 5/16-18 w/Ball Spring	10
P	3278	Single Nut Plate	14
Q	3279	Double Nut Plate	22
R	3285	Triple Nut Plate	3
S	3330	Screw, 5/16-18 x .687" FBHSCS	69
T	3340	Screw, 5/16-18 x .500" FBHSCS	30
U	LYNX END CAP	Custom Lynx End Cap W/ Push-in Fasteners	2
V	9755-PLAIN	Ready Tube End Cap	4
W	2050-PLAIN	3030 End Cap w/ Push-in Fasteners	2
X	P5.95 LED	LED Video Panel, 500mm X 1000mm	4
Y	MH-LVP	Mounting Hardware, LED Video Panel	8
Z	1S COVER	Single Sided Display Cover, Black Vinyl	1

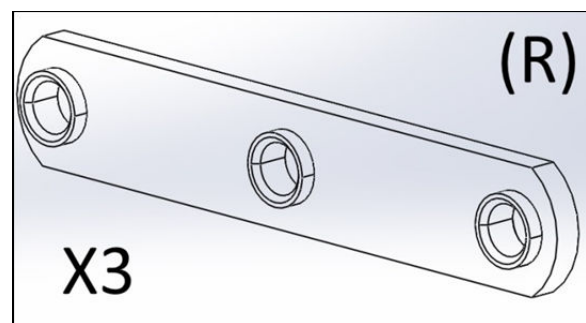
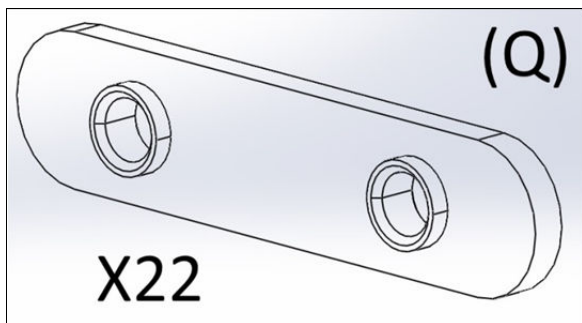
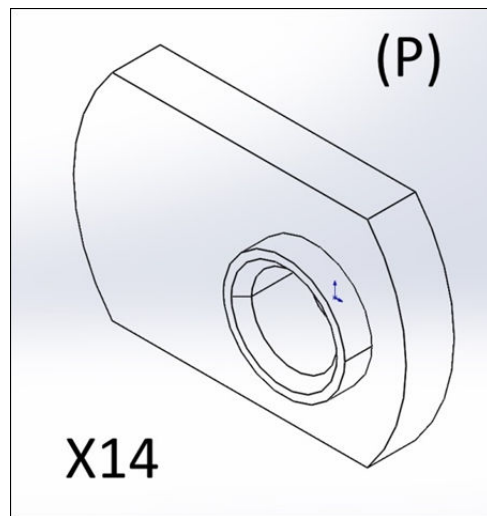
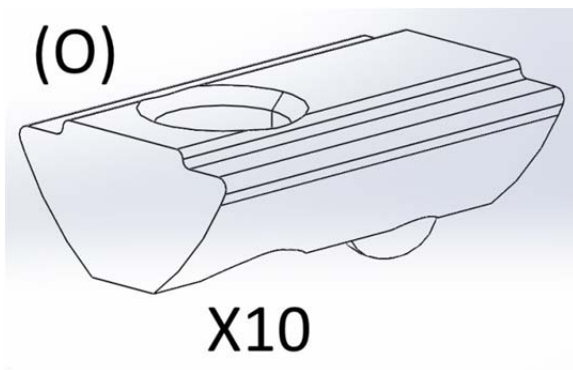
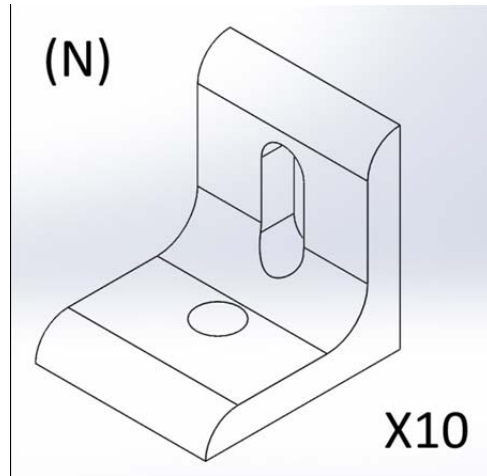
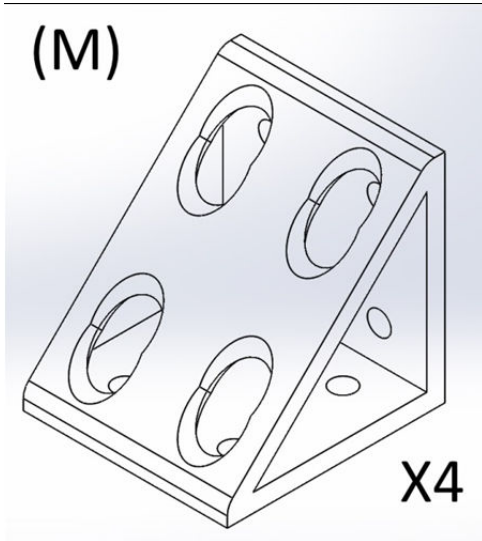
Parts List



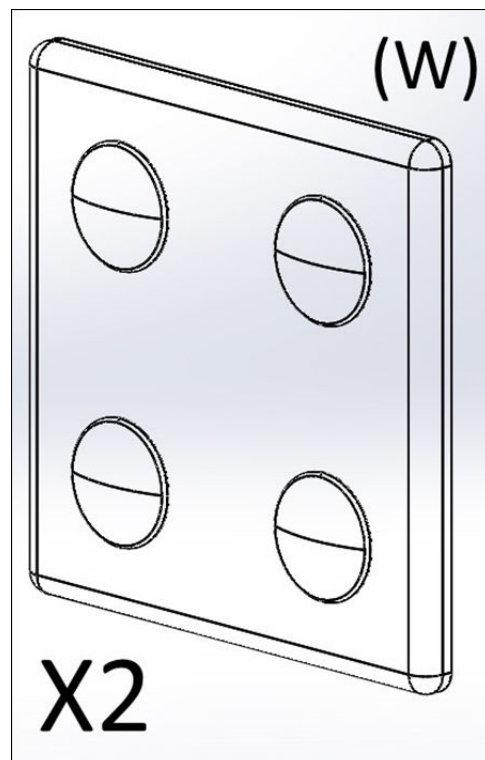
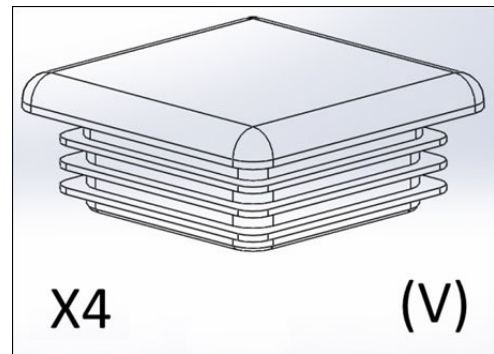
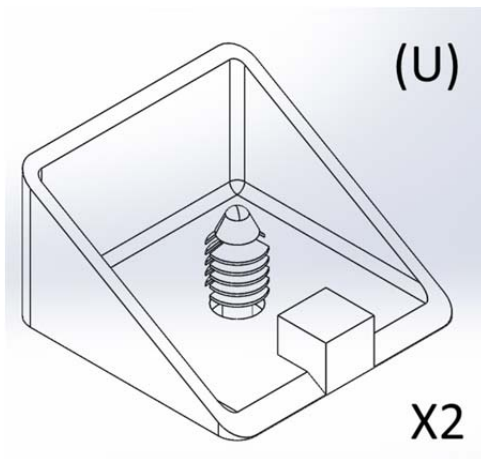
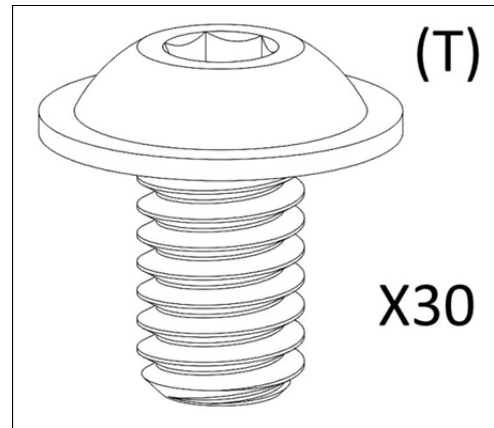
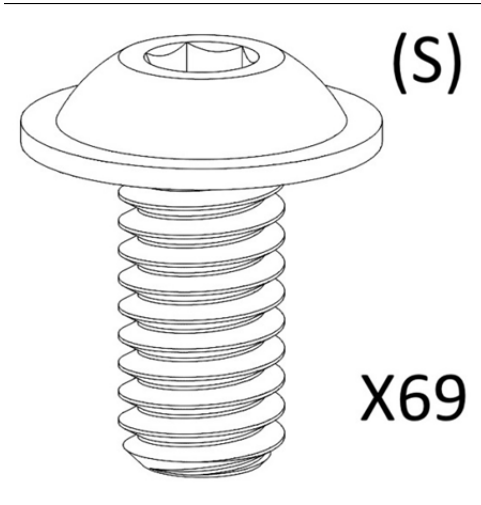
Parts List (Continued)



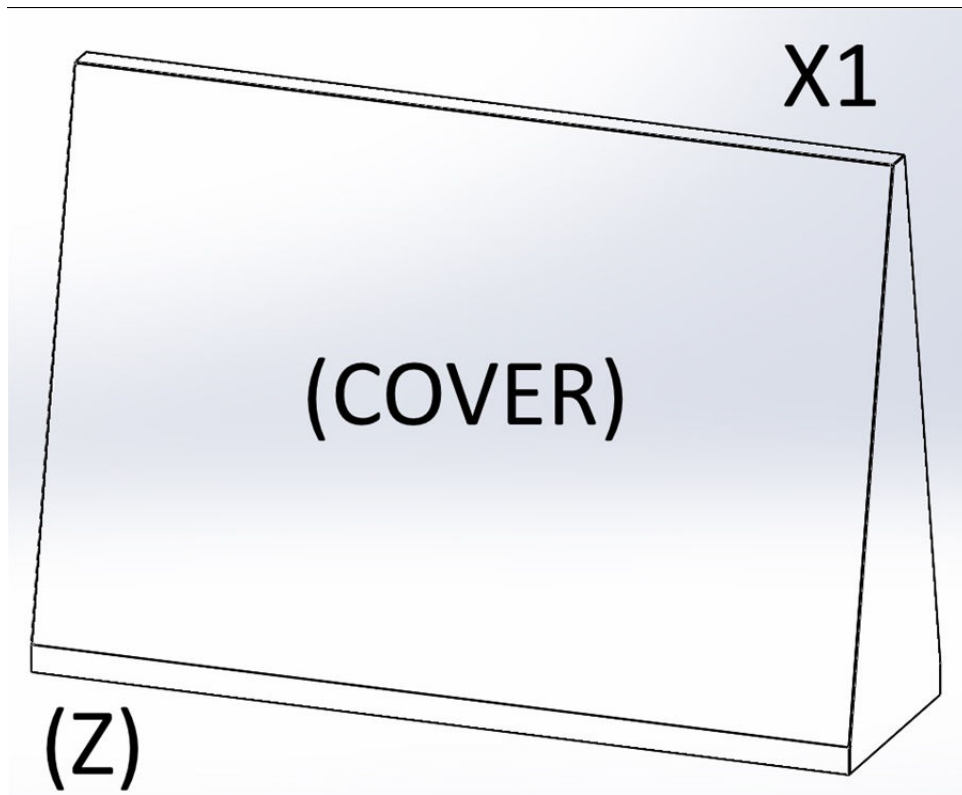
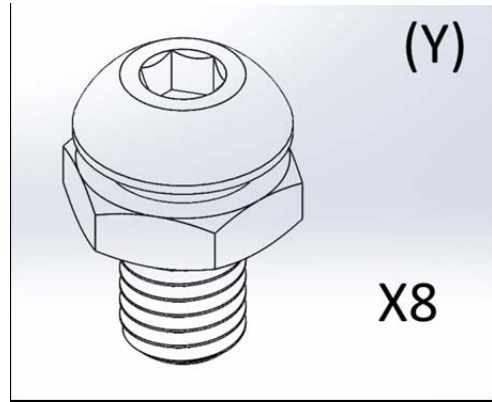
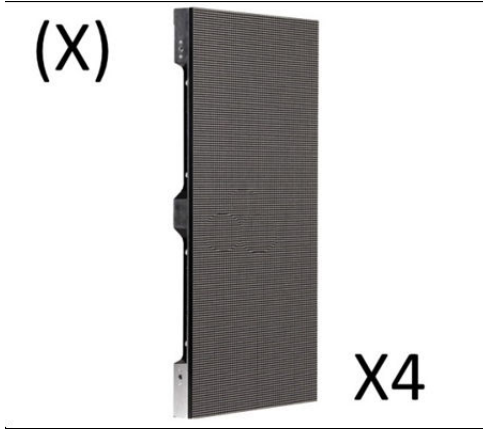
Parts List (Continued)



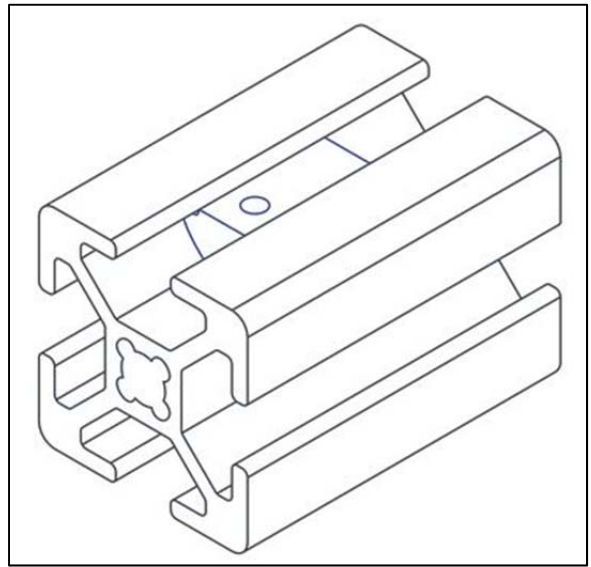
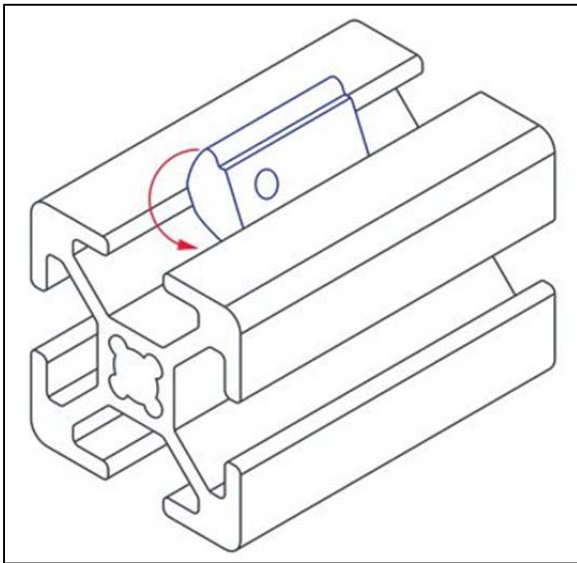
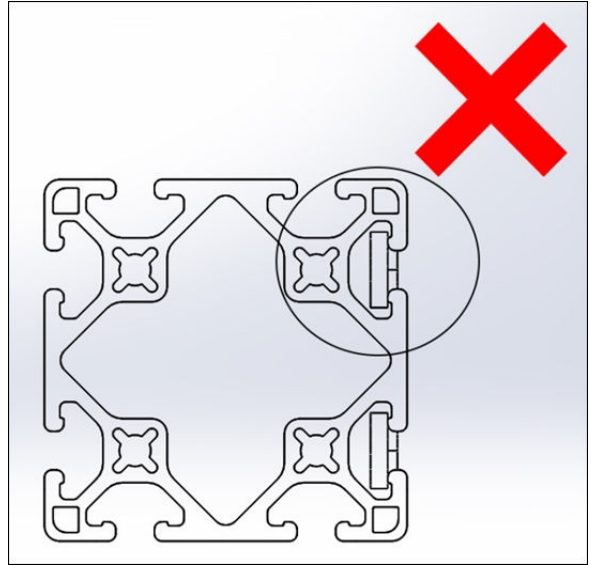
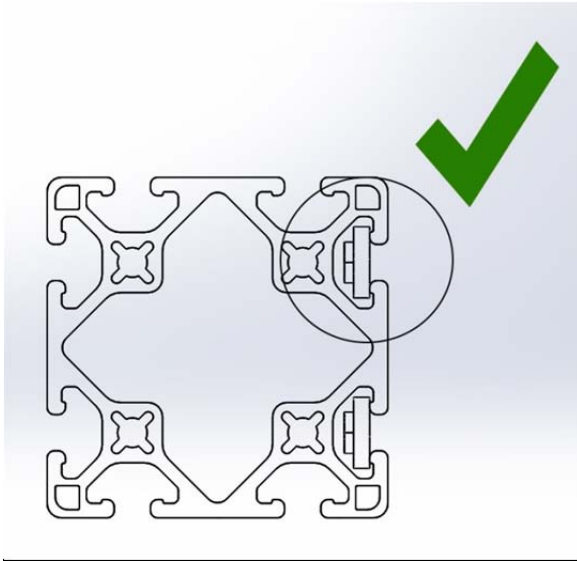
Parts List (Continued)



Parts List (Continued)



Notes



Reference Materials

- Appendix A – Solecolor P5.95 catalogue – LED Panel Overview

Section 1

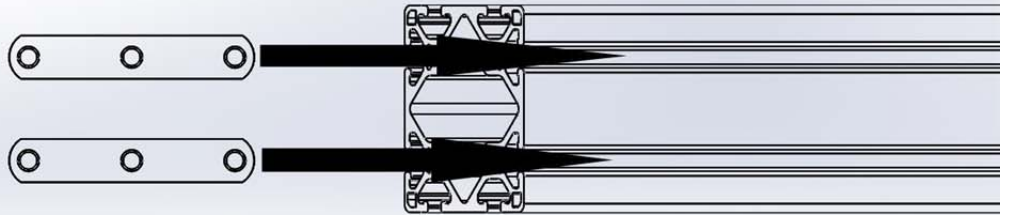
Base Assembly Instructions

1



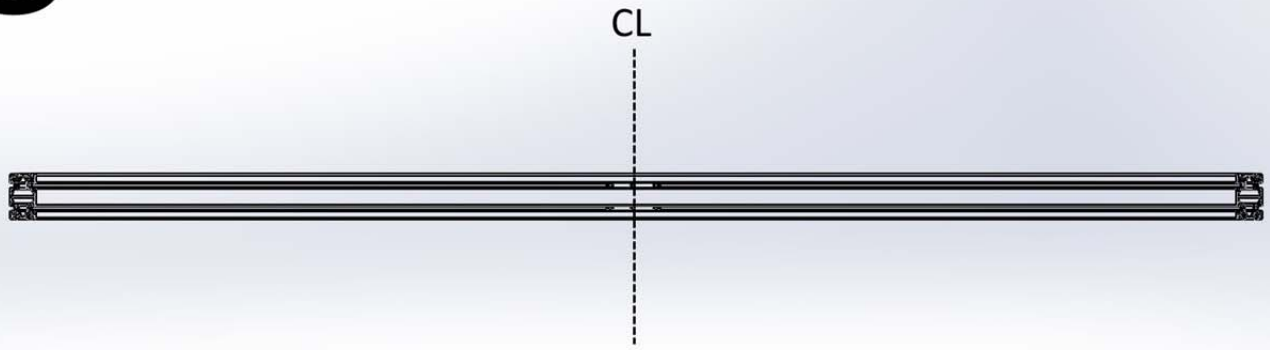
(A) X 1

2

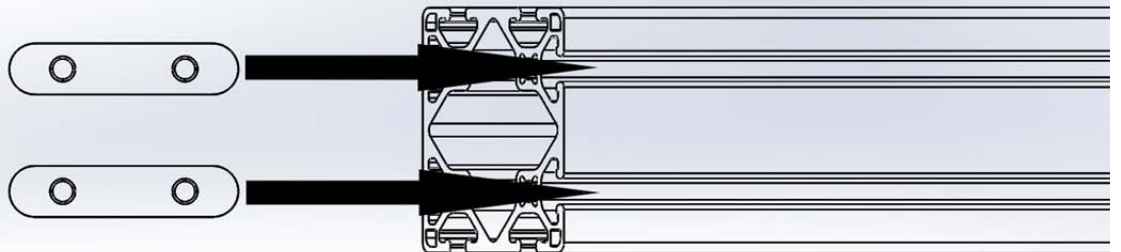


(R) X 2

3

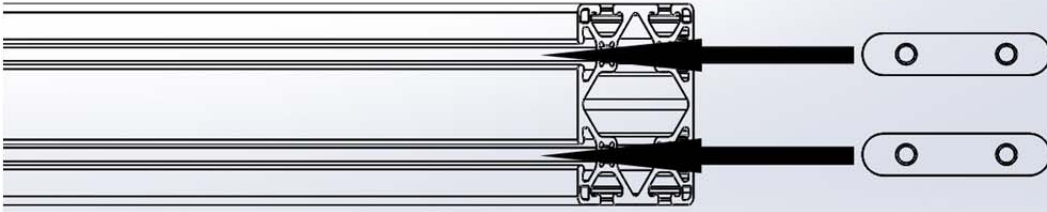


4



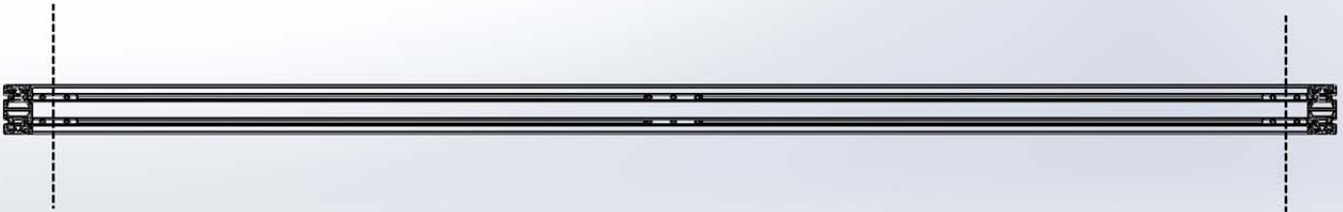
(Q) X 2

5

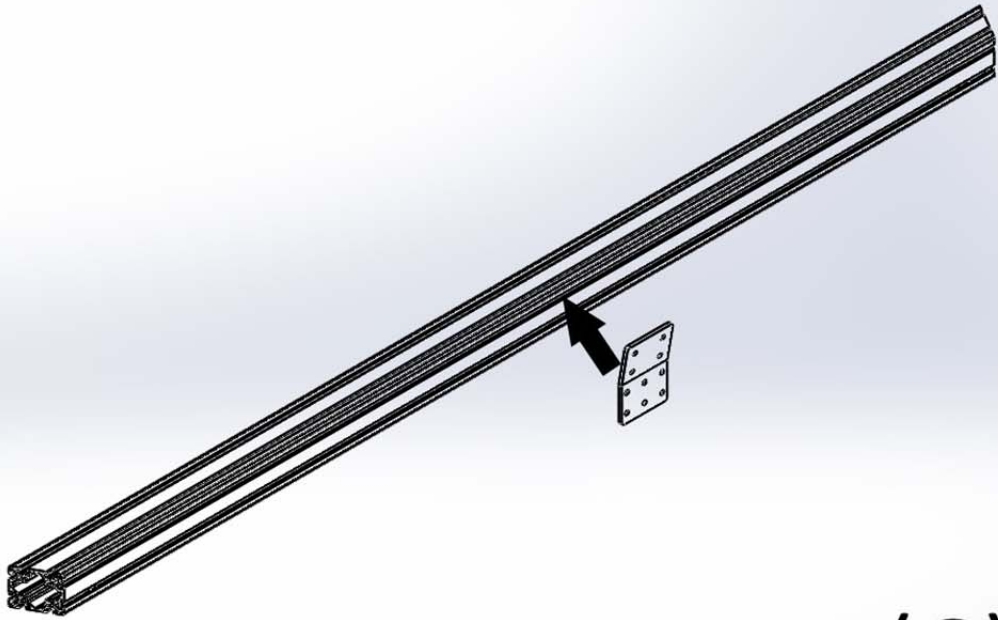


(Q) X 2

6

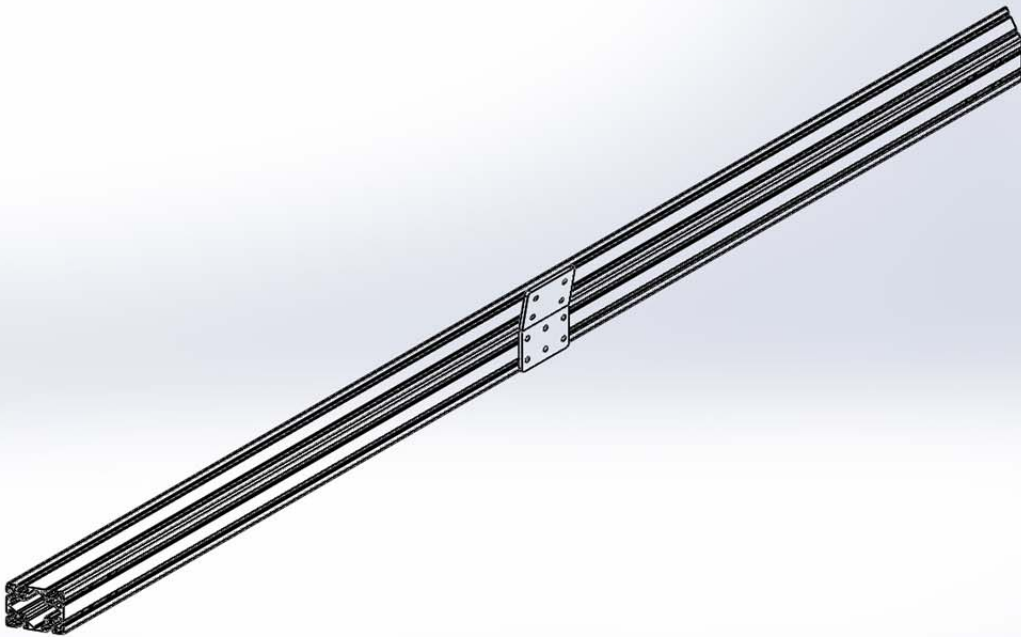


7



(G) X 1

8

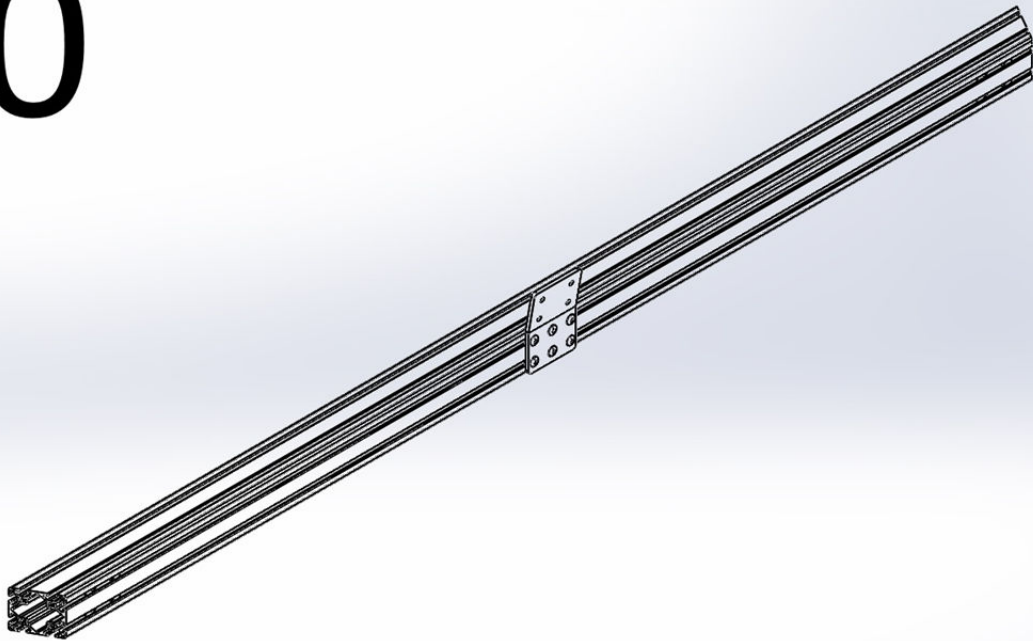


9



(S) X 6

10

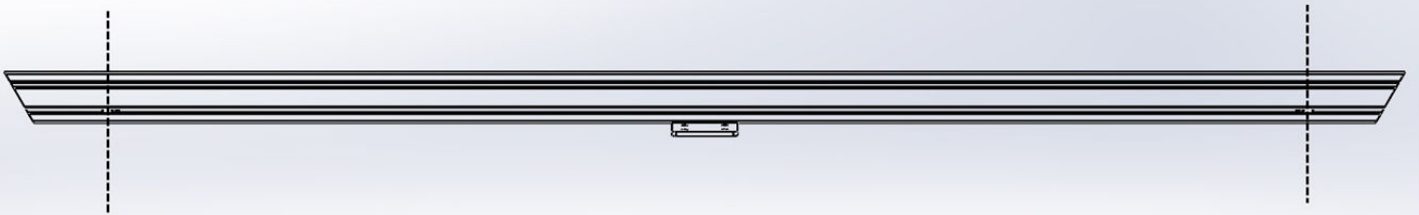


11

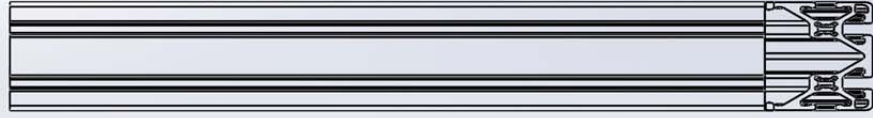


(P) X 2

12



13



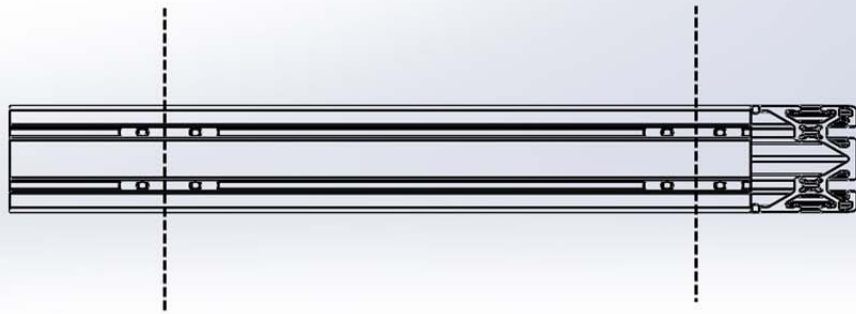
(D) X 1

14

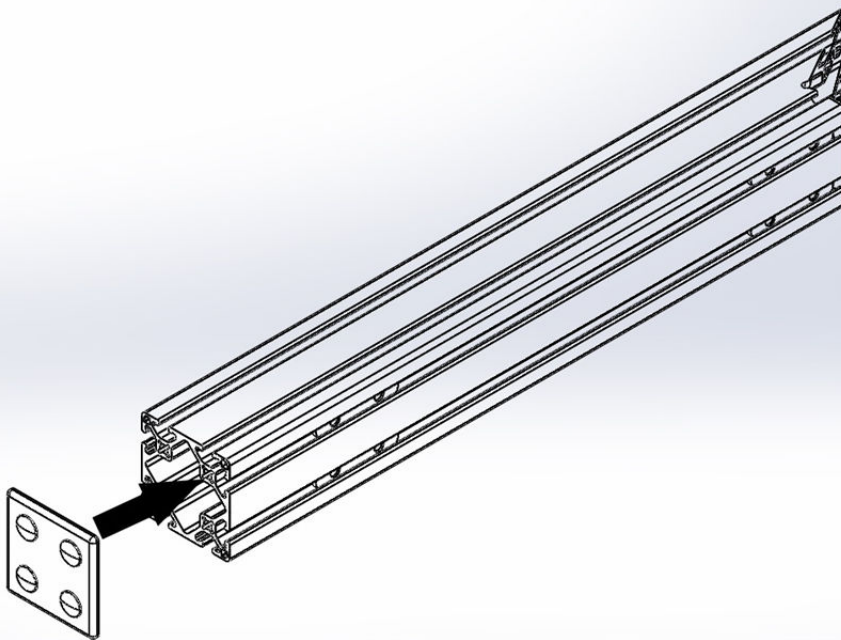


(Q) X 4

15

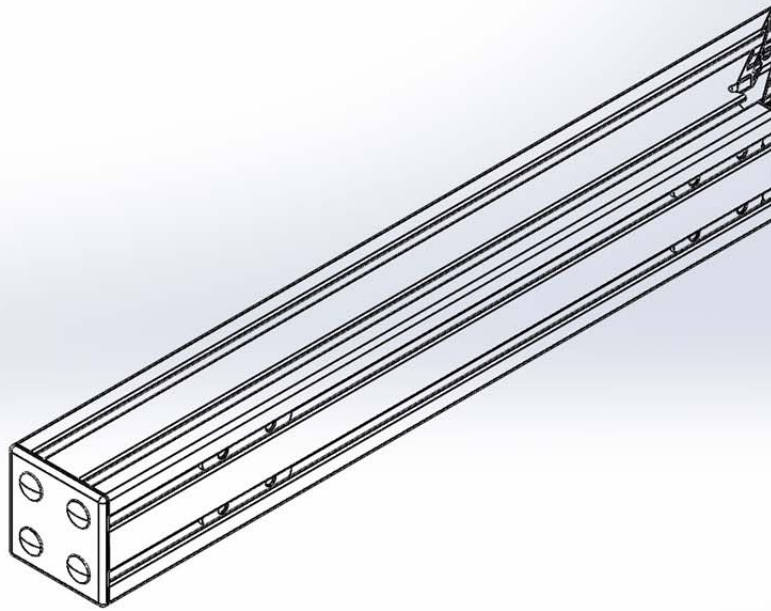


16



(W) X 1

17



2X

(REPEAT STEPS 11 THRU 14)

18



(C) X 1

19



(Q) X 2

20



(Q) X 2

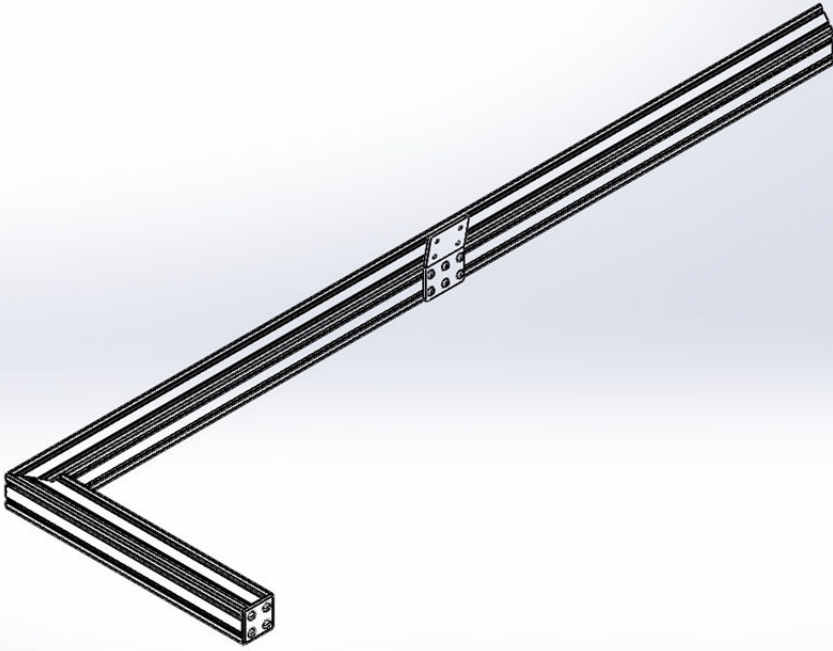
21



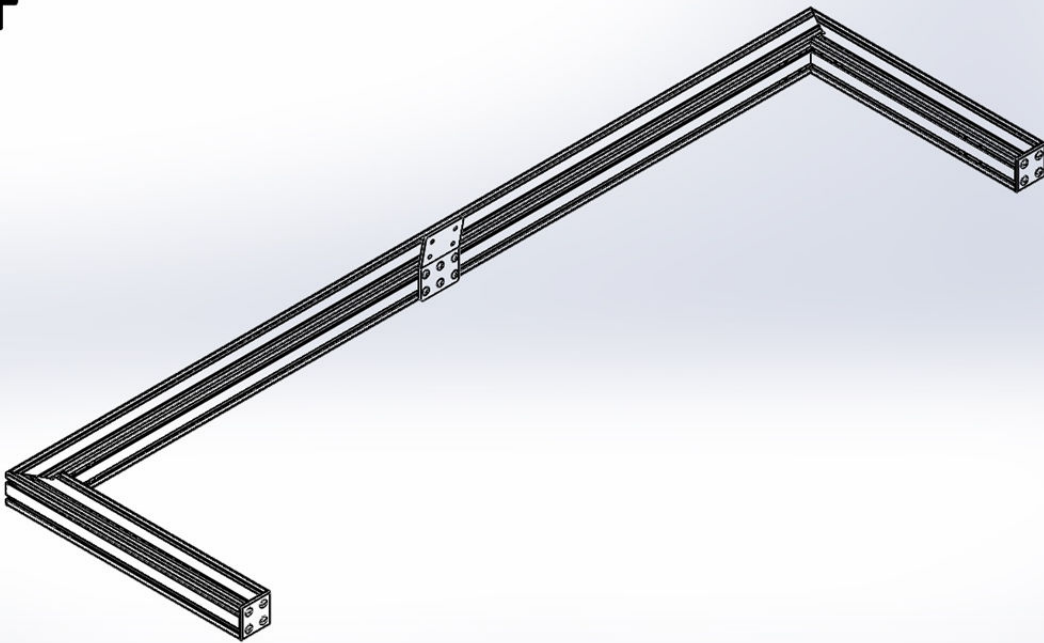
22



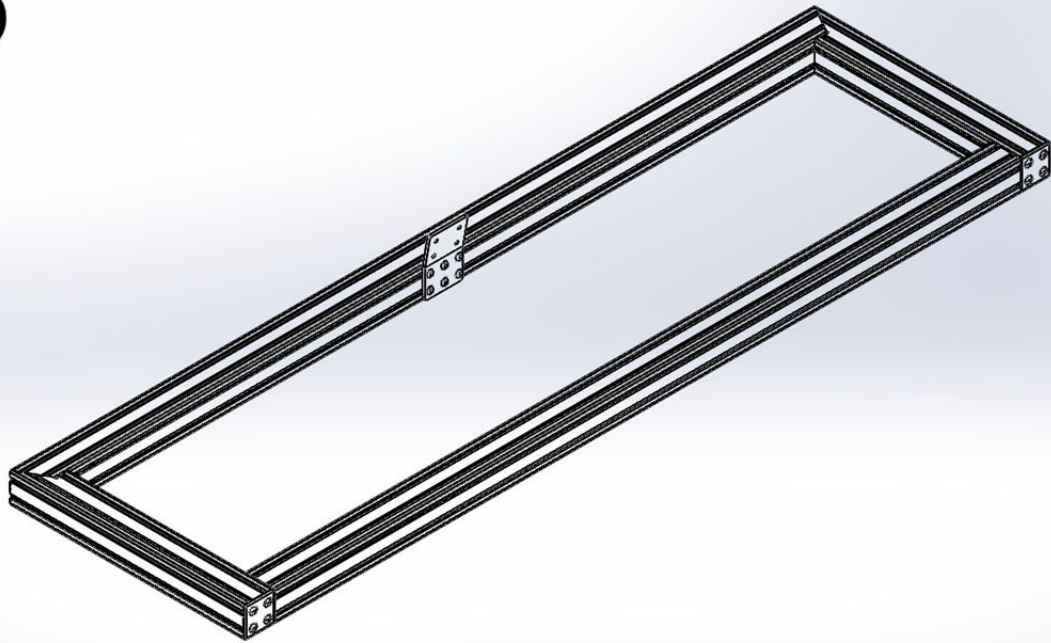
23



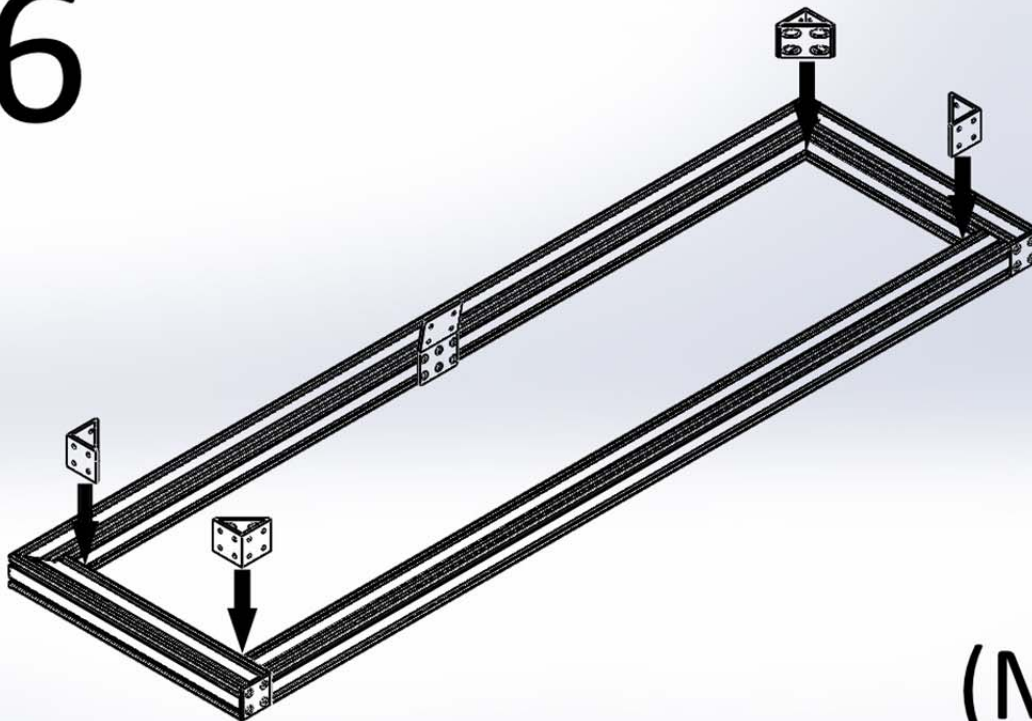
24



25

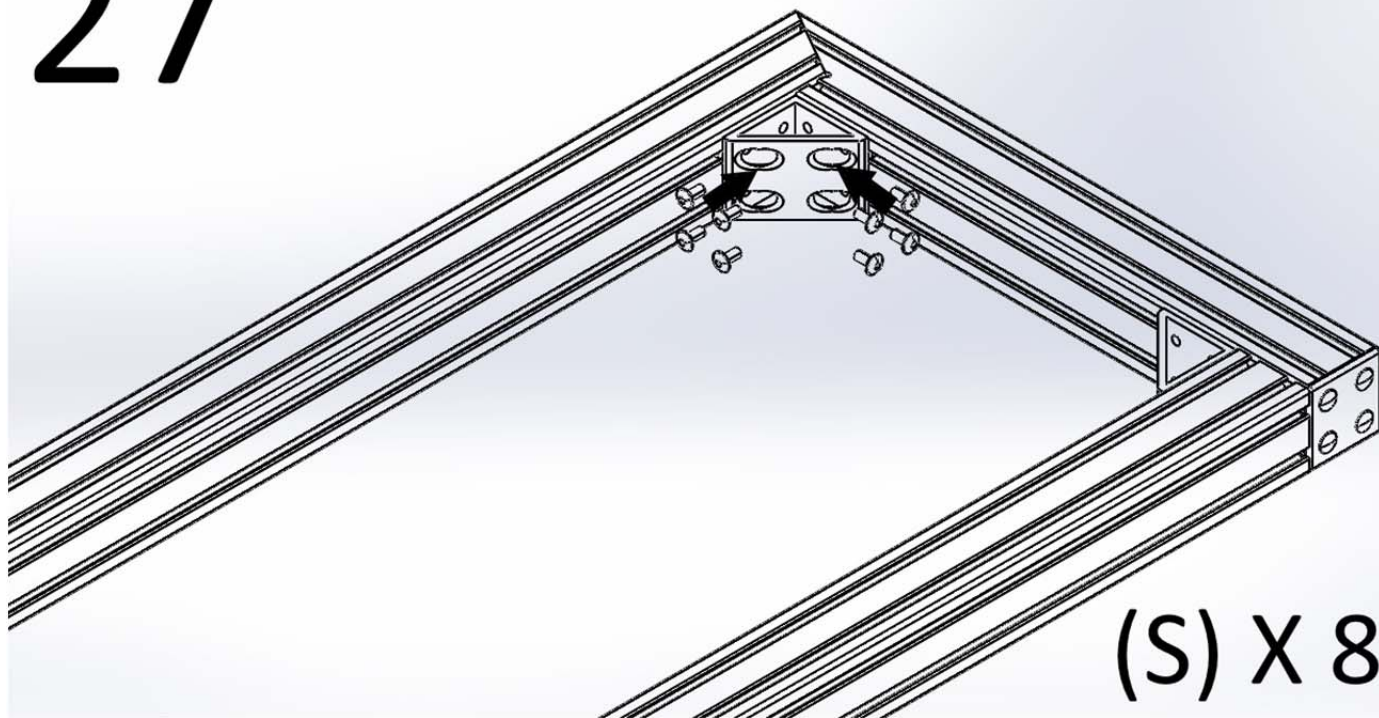


26



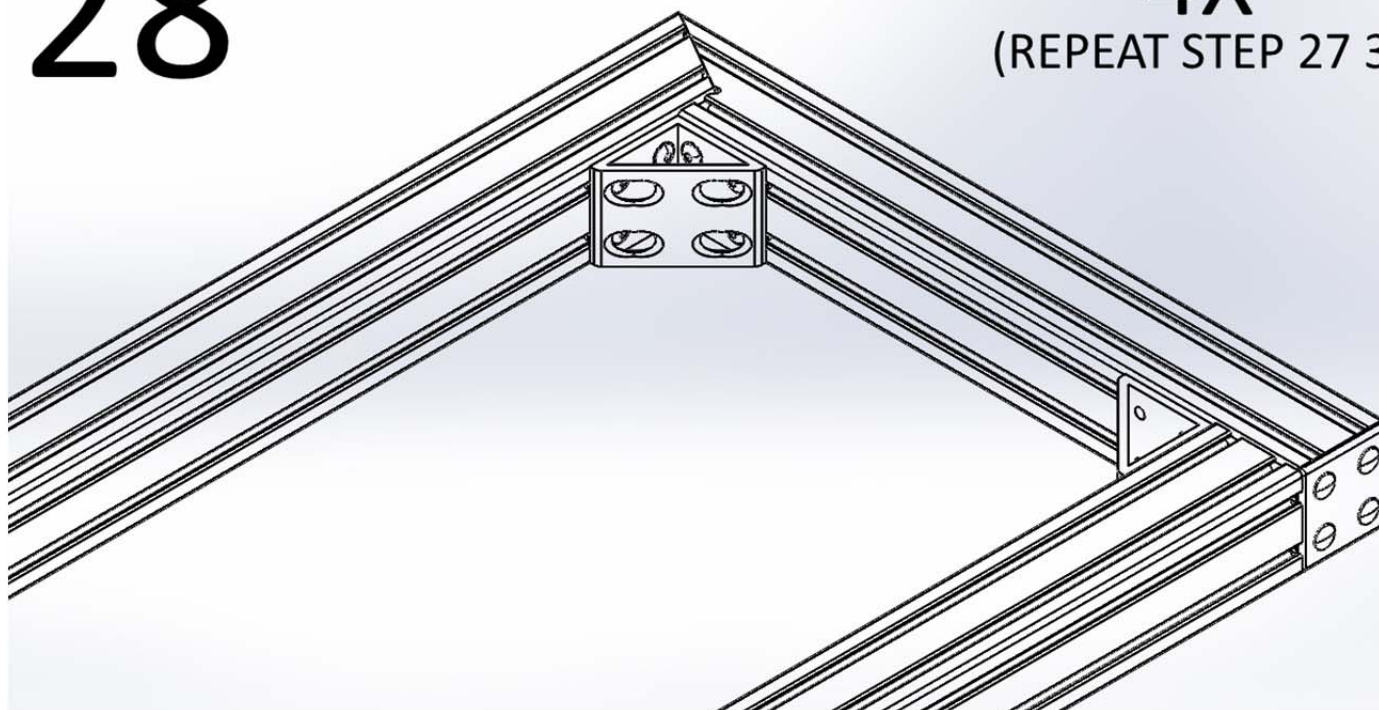
(M) X 4

27



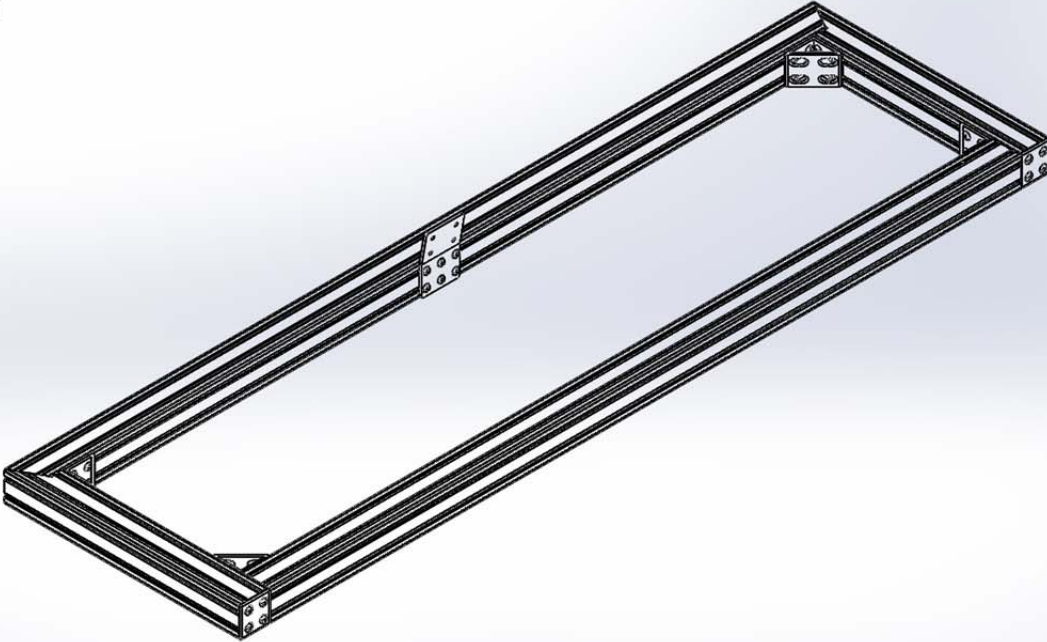
(S) X 8

28



4X
(REPEAT STEP 27 3X)

29



Base Assembly Complete

Section 2

Wall Assembly Instructions

1



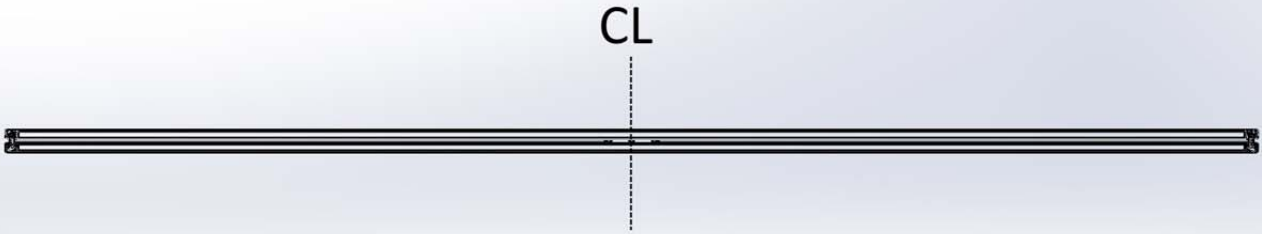
(B) X 1

2



(R) X 1

3



4



(P) X 1

5



(P) X 1

6

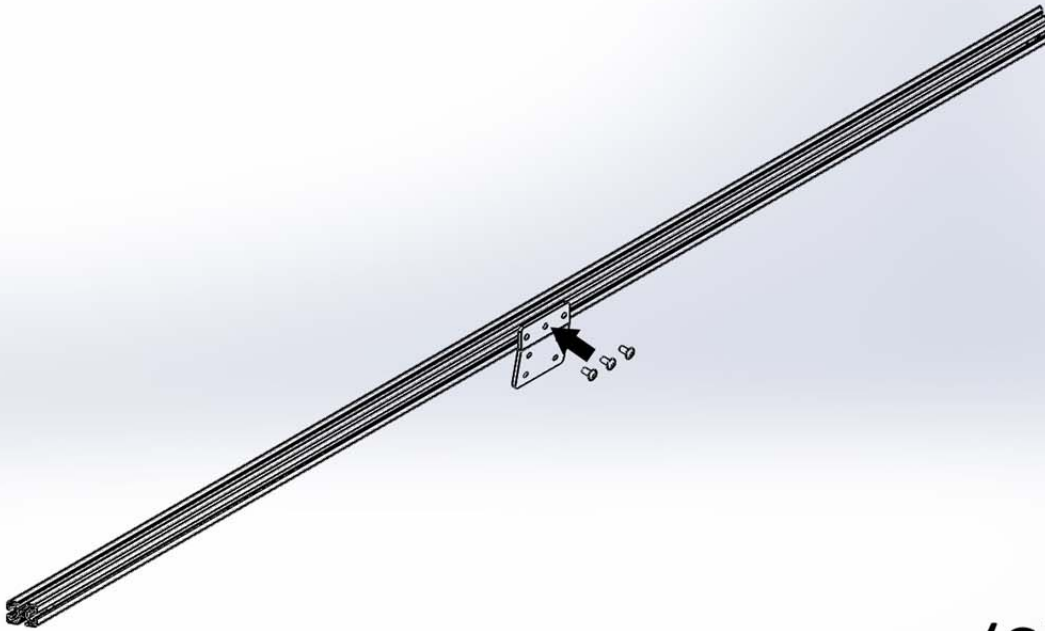


7



(H) X 1

8



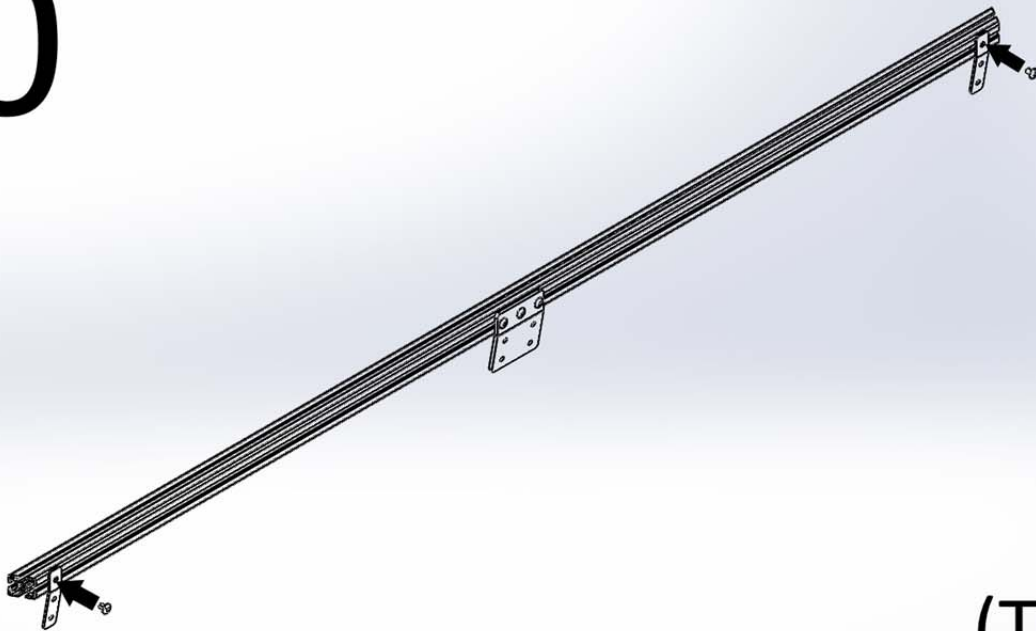
(S) X 3

9



(I) X 2

10

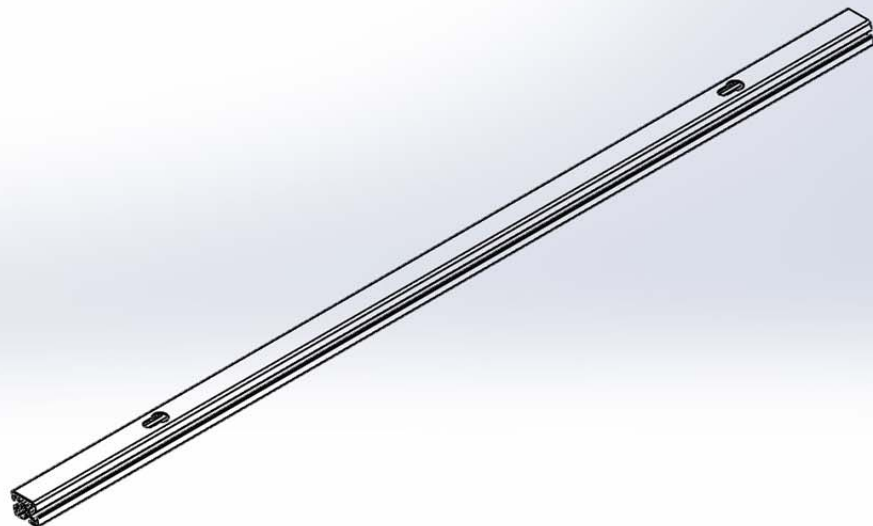


(T) X 2

11



12



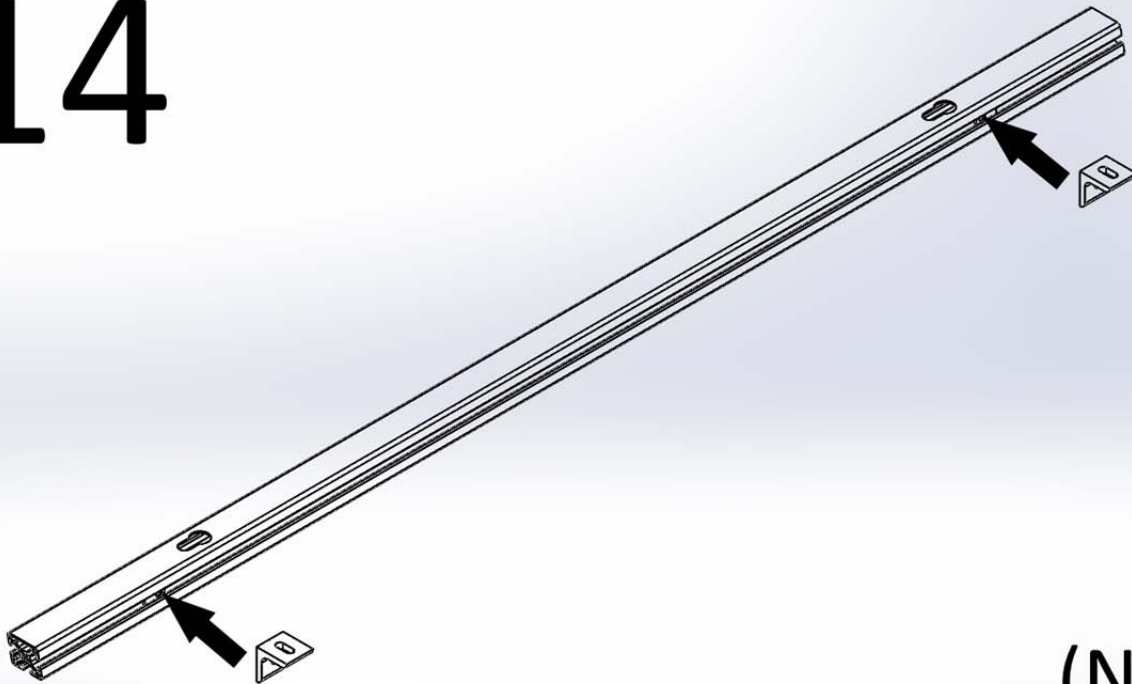
(E) X 1

13



(P) X 2

14



(N) X 2

15



(S) X 2

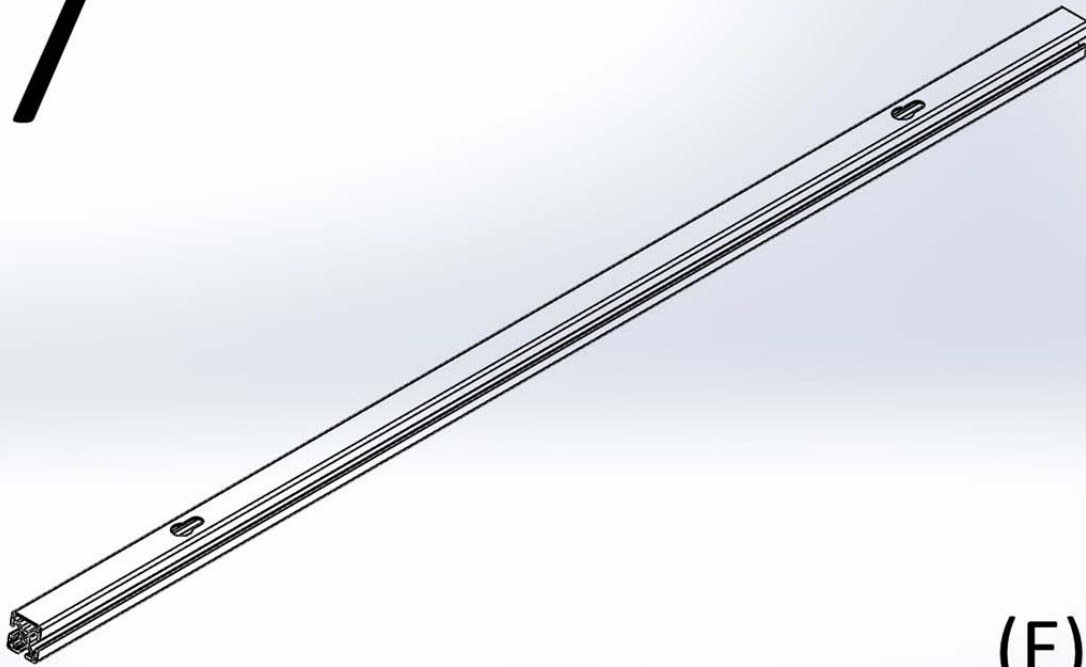
16



2X

(REPEAT STEPS 12 THRU 15)

17



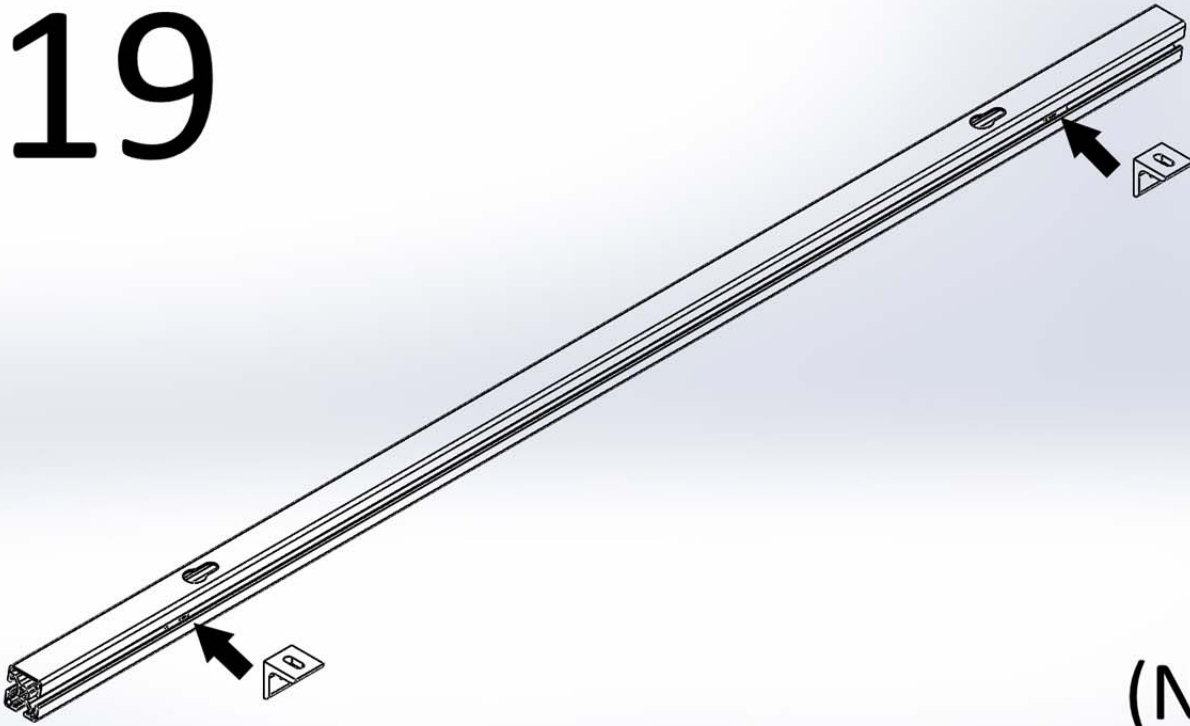
(E) X 1

18



(P) X 2

19



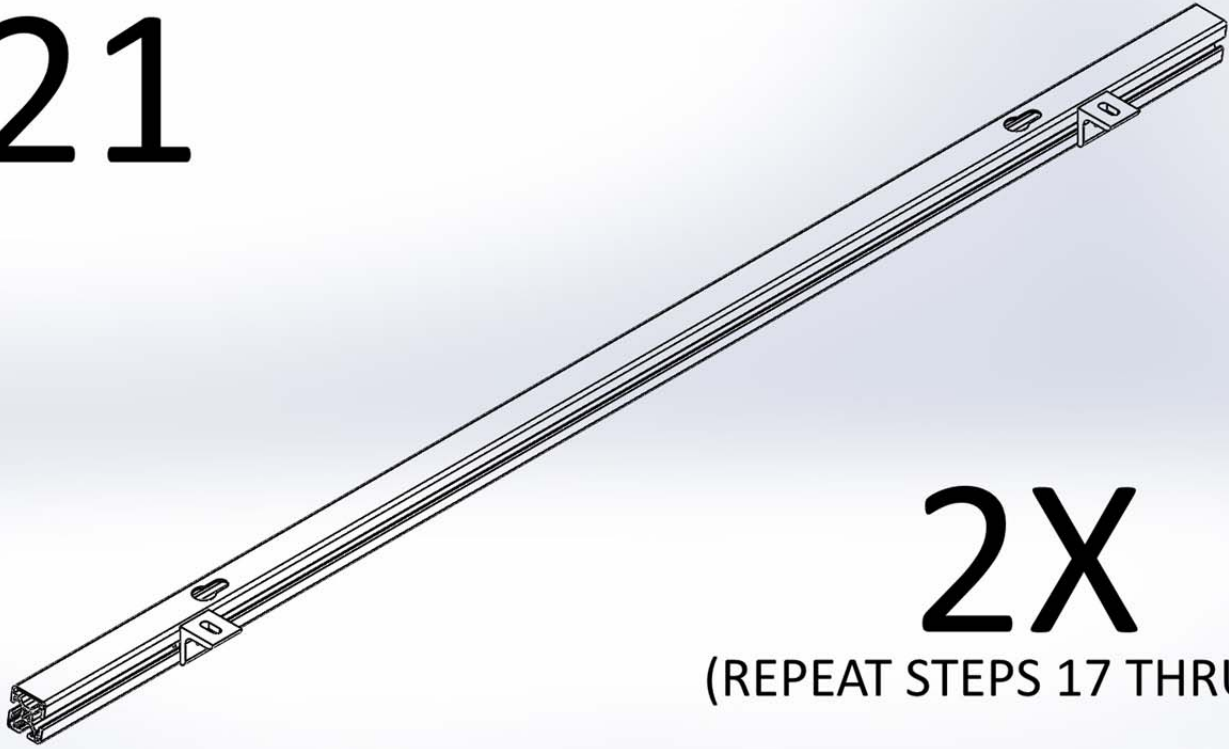
(N) X 2

20



(S) X 2

21



2X

(REPEAT STEPS 17 THRU 20)

22



23



24



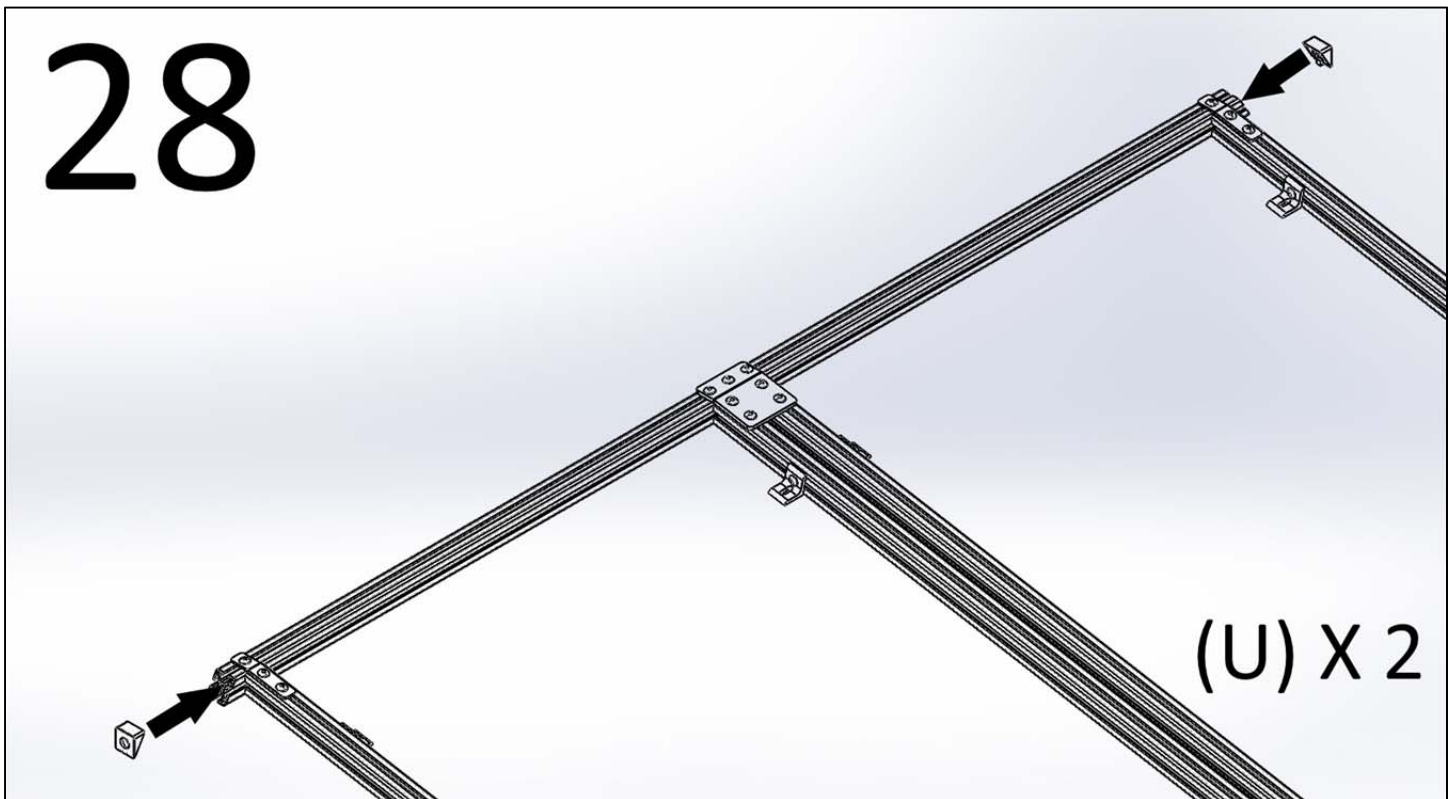
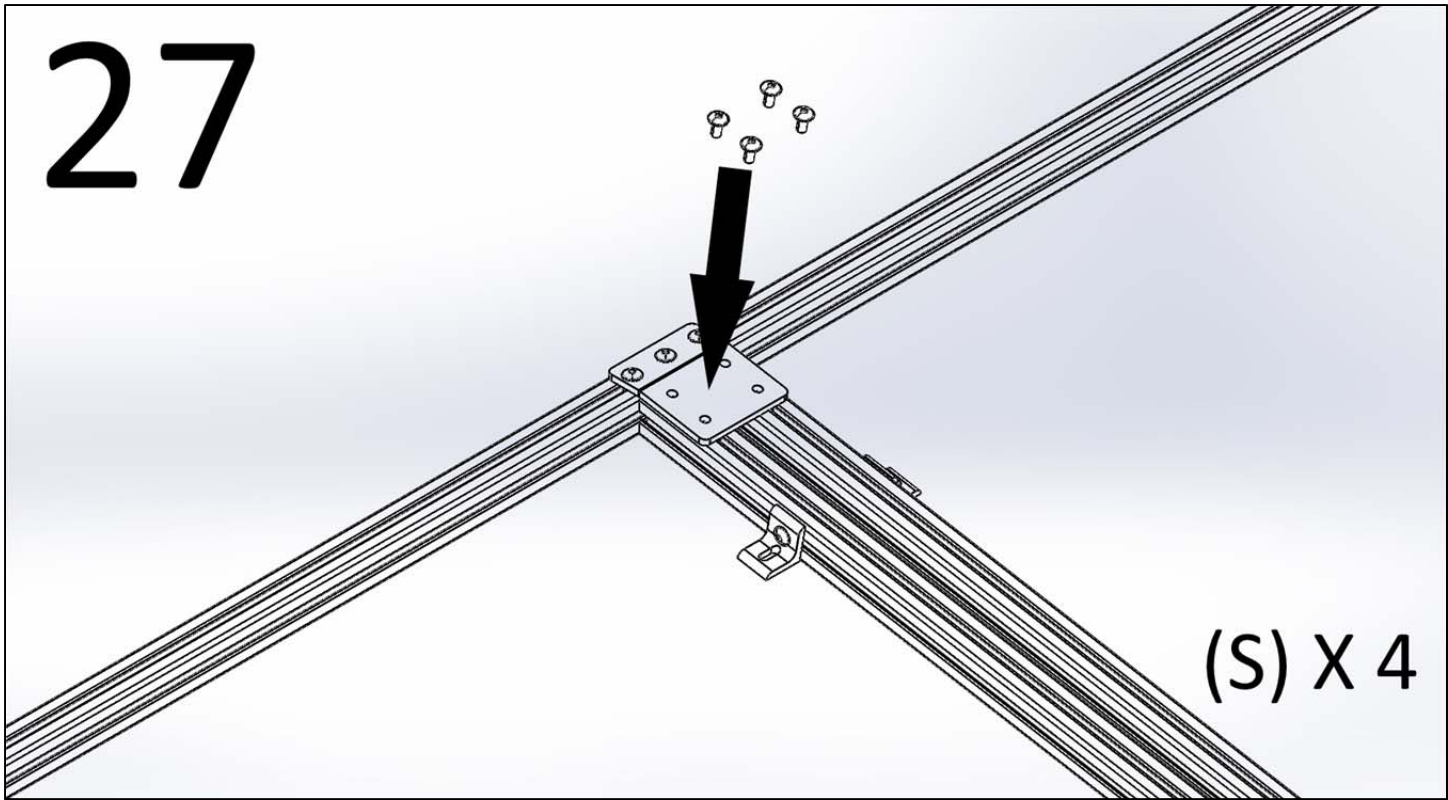
(Q) X 4

25

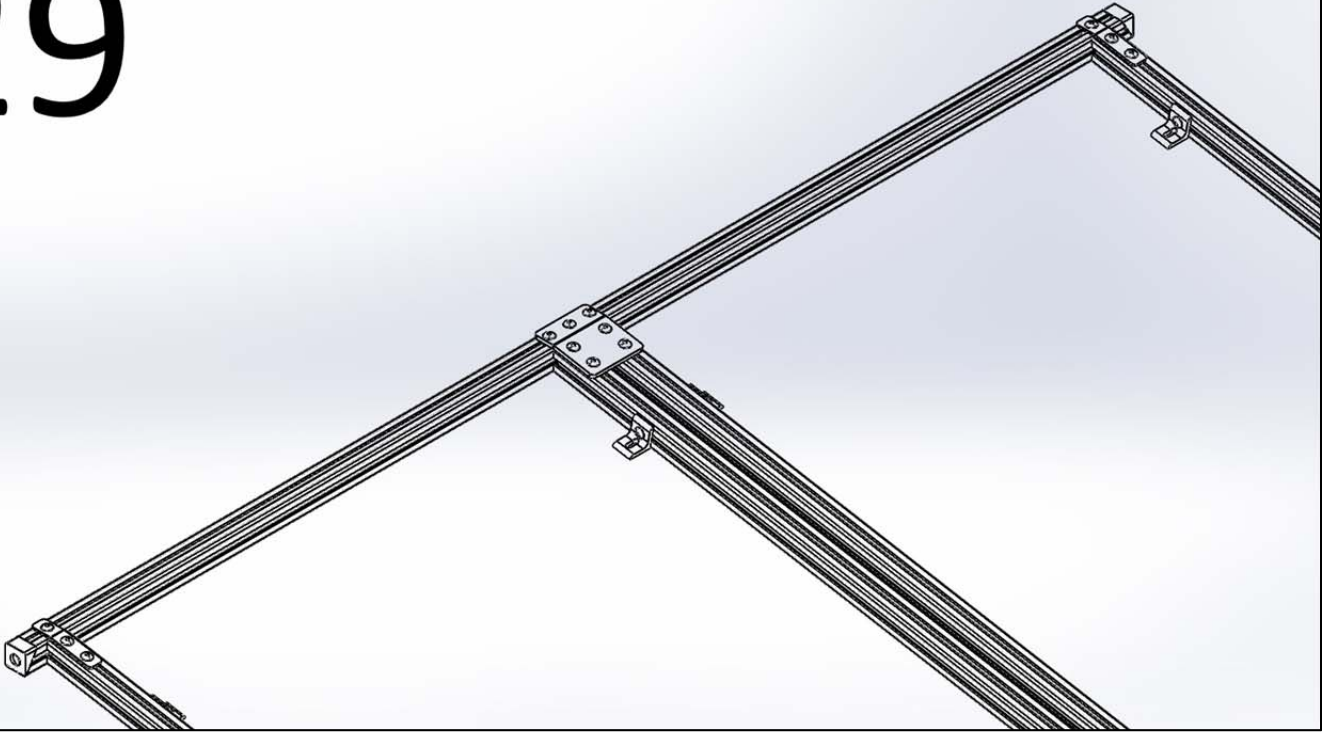


26

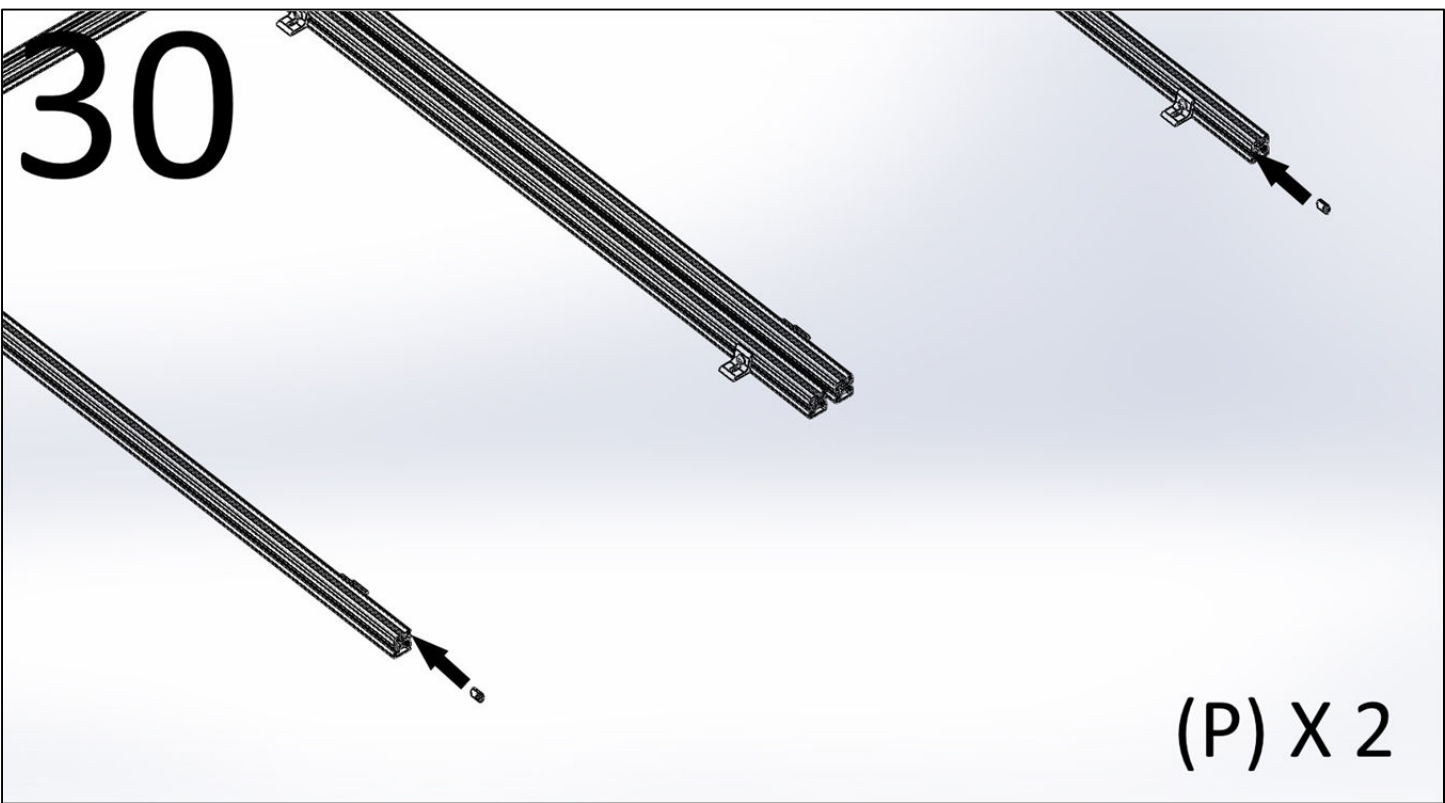




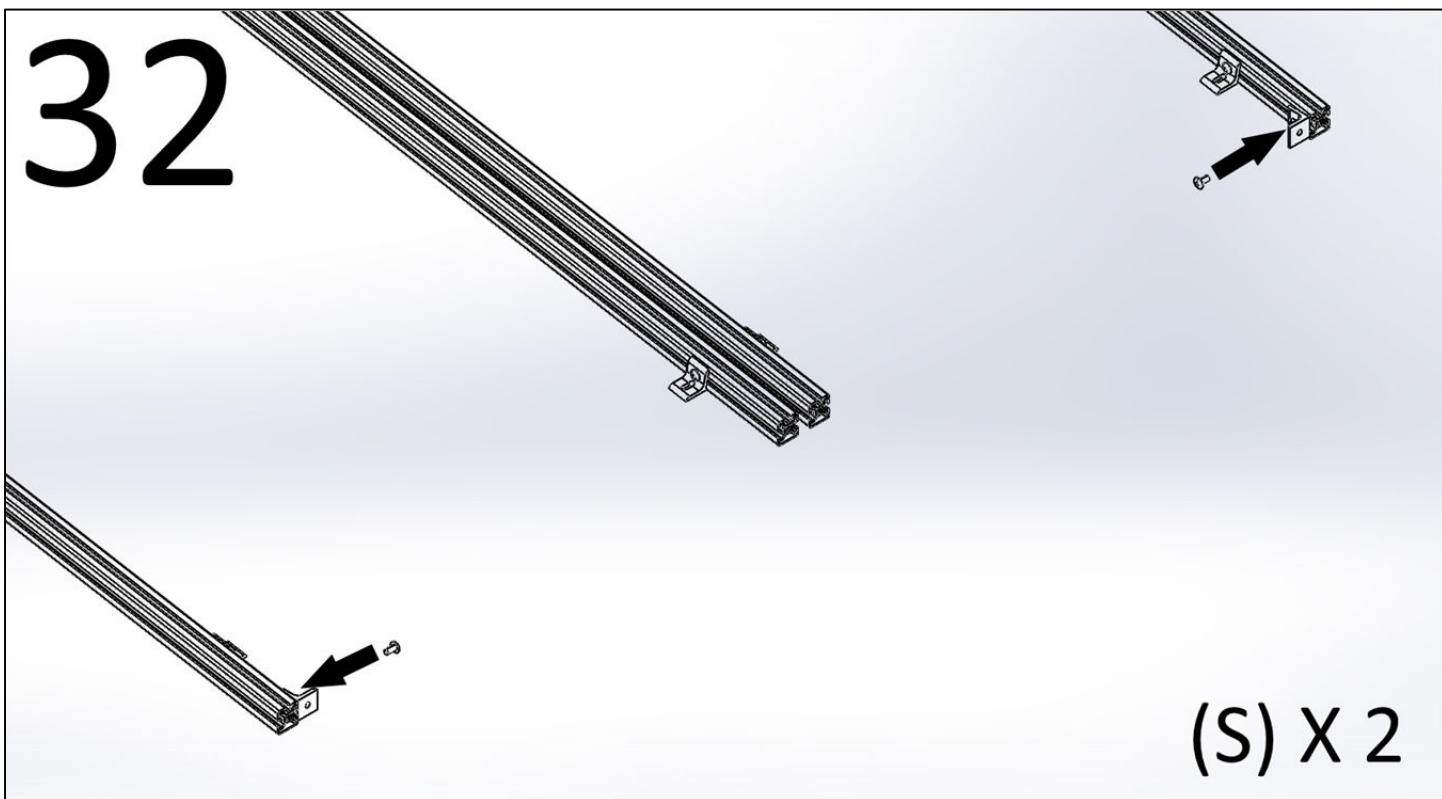
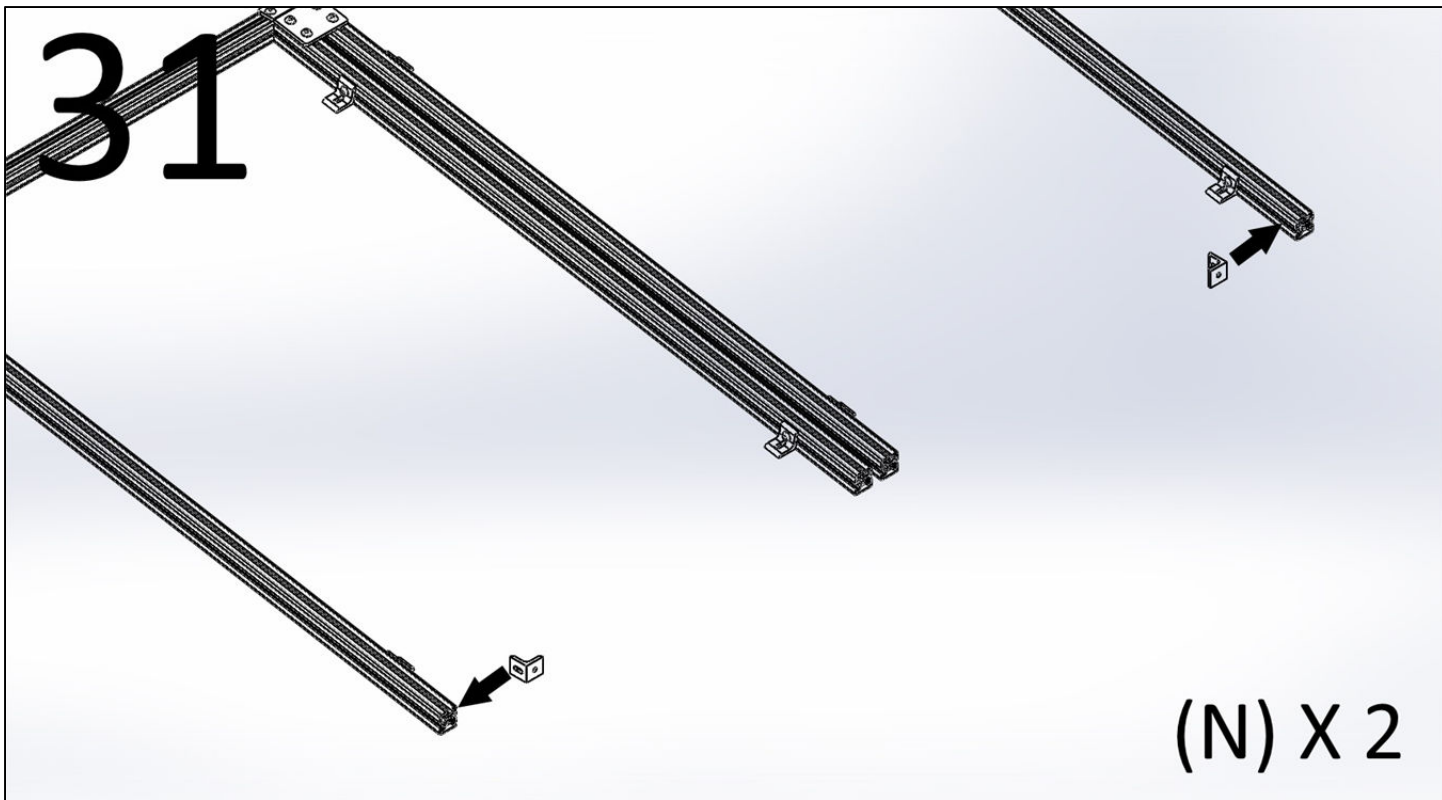
29



30



(P) X 2



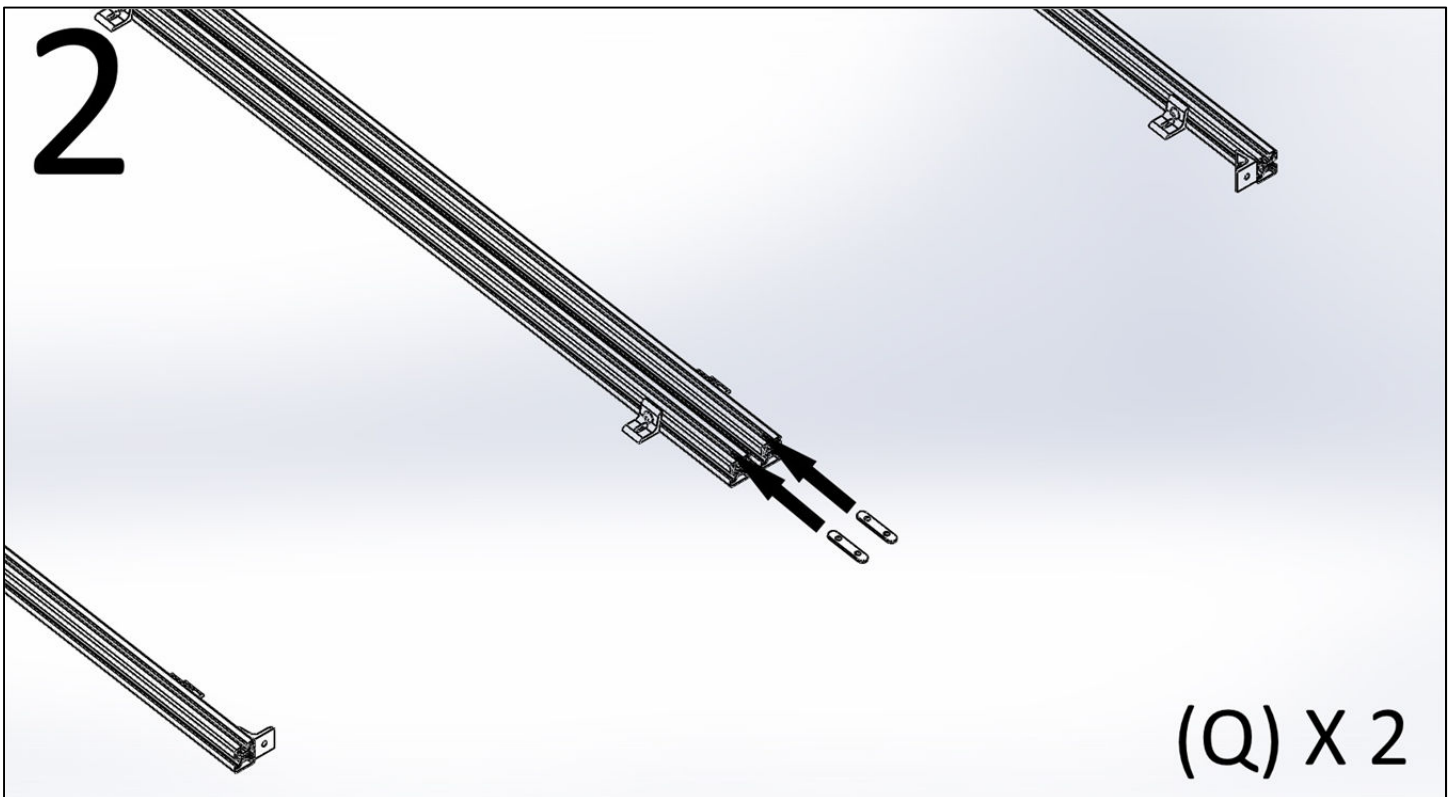
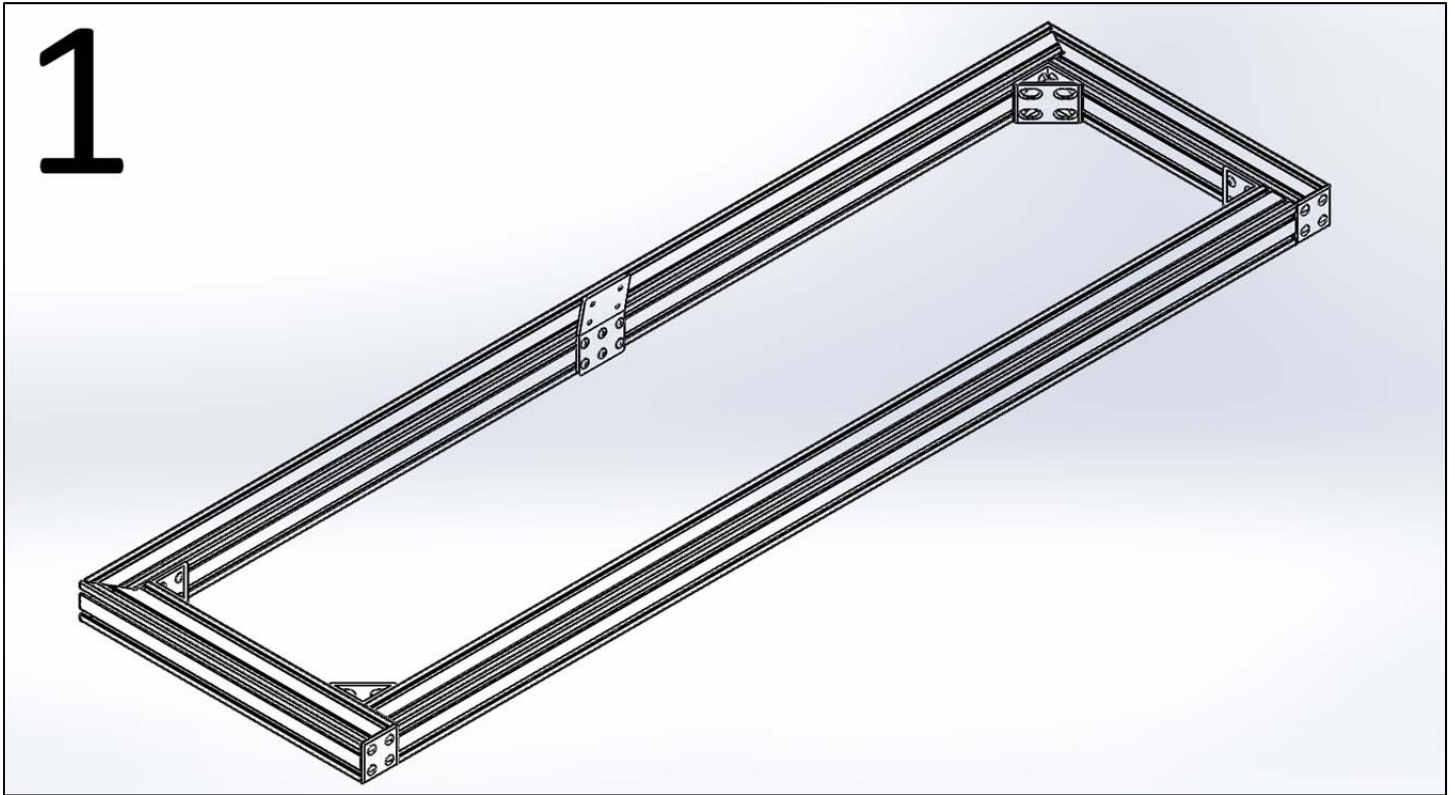
33



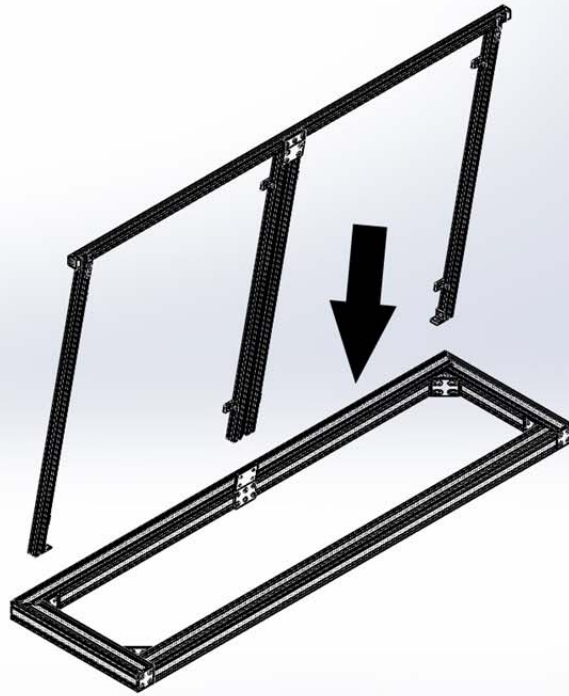
Wall Assembly Complete

Section 3

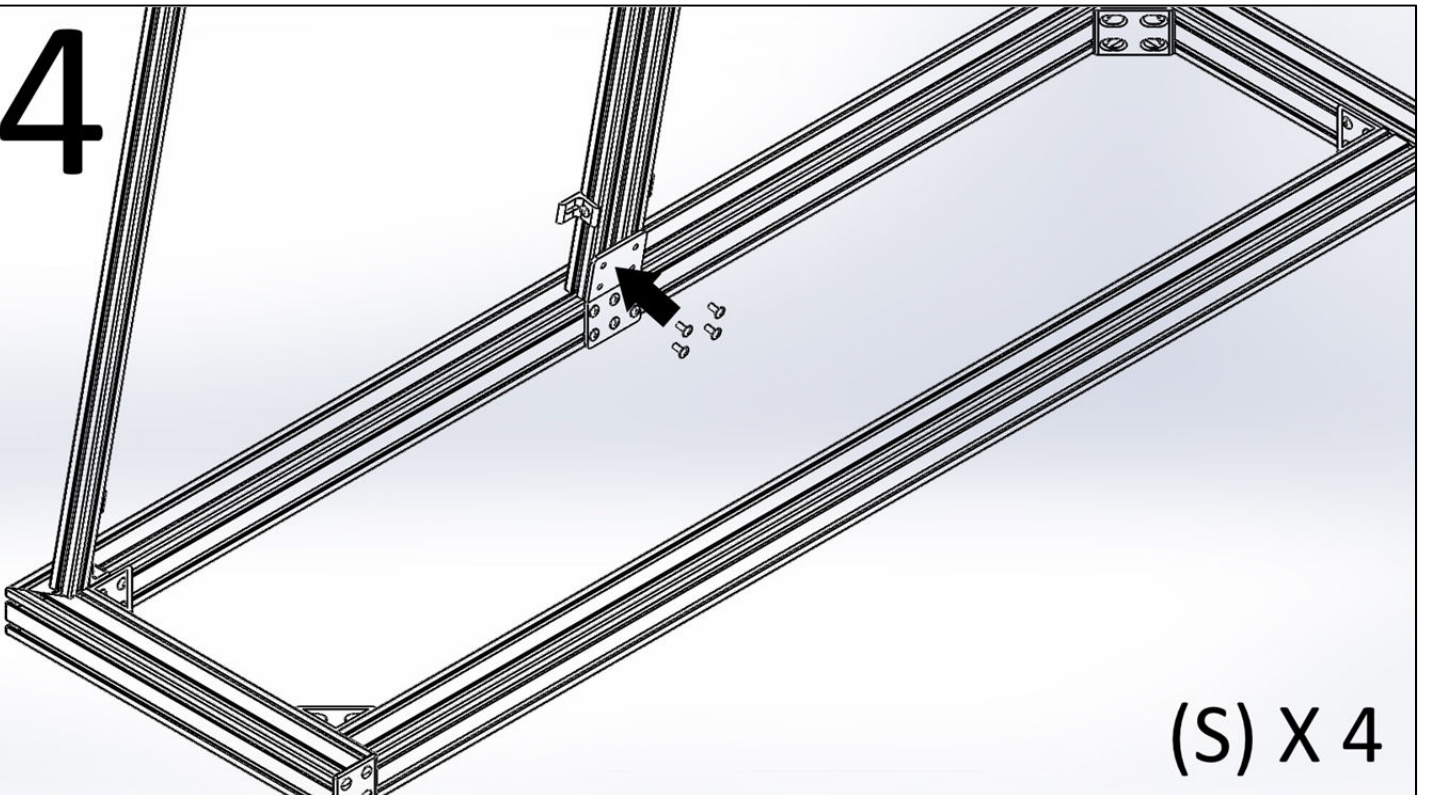
Final Assembly Instructions



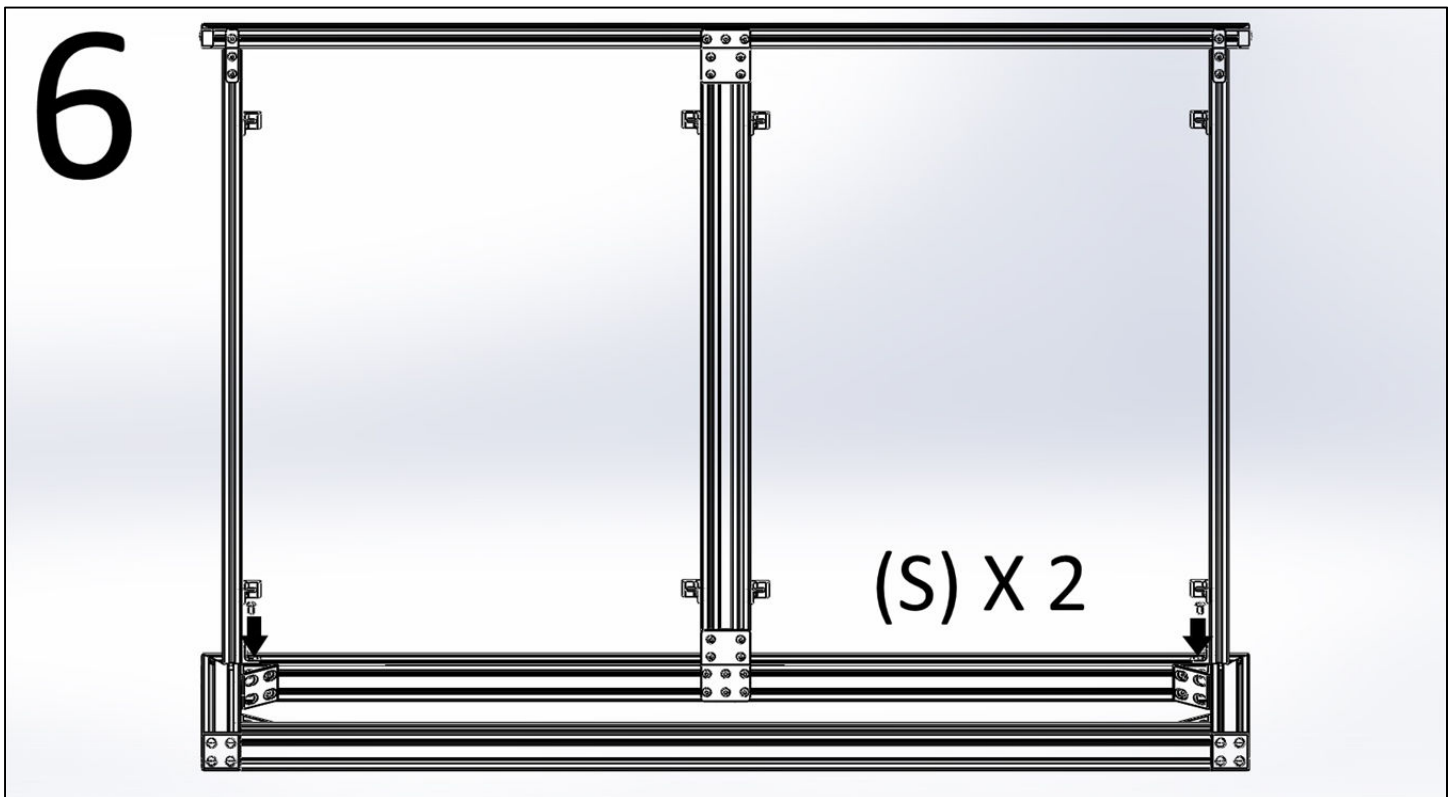
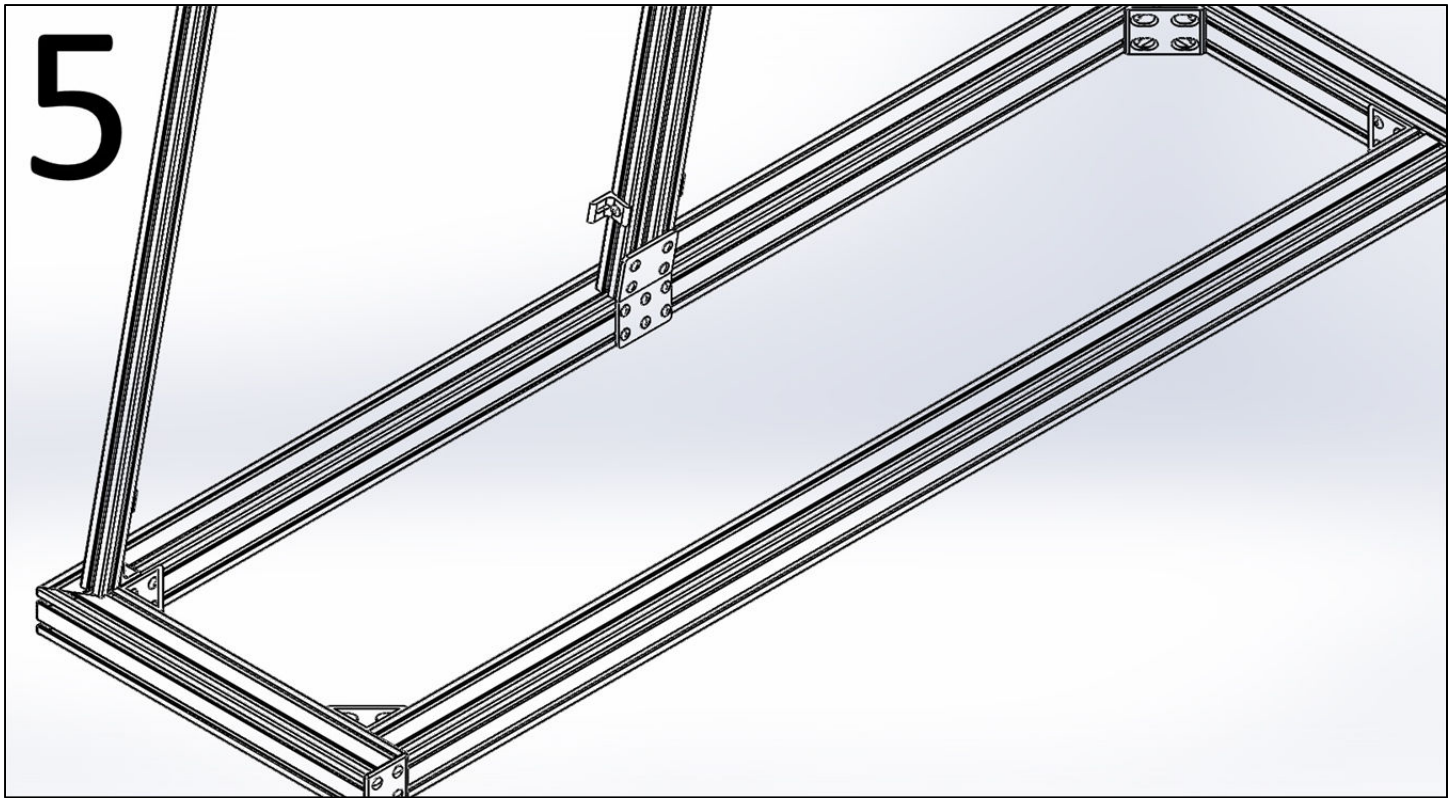
3



4



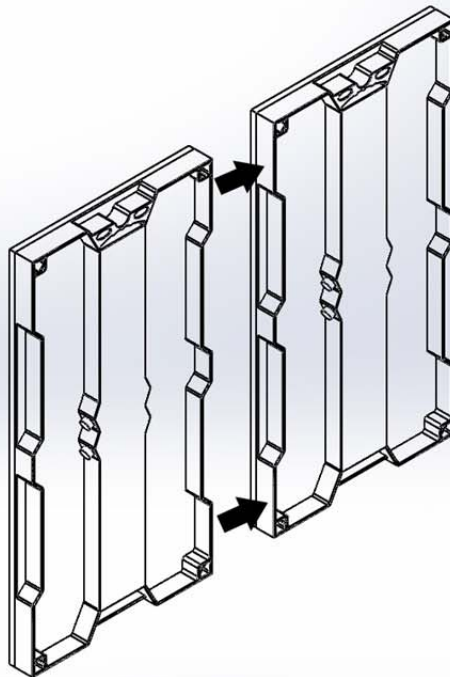
(S) X 4



7

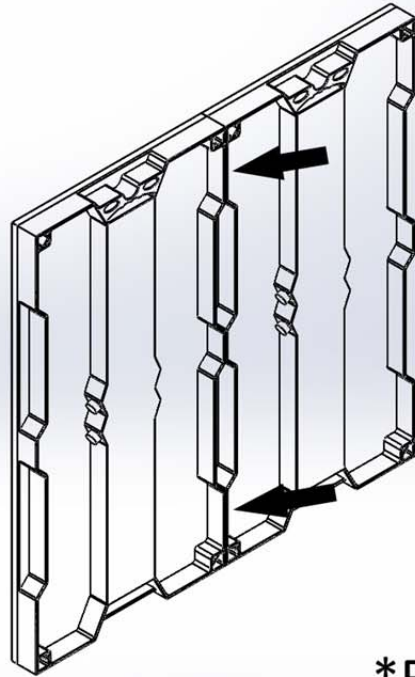


8



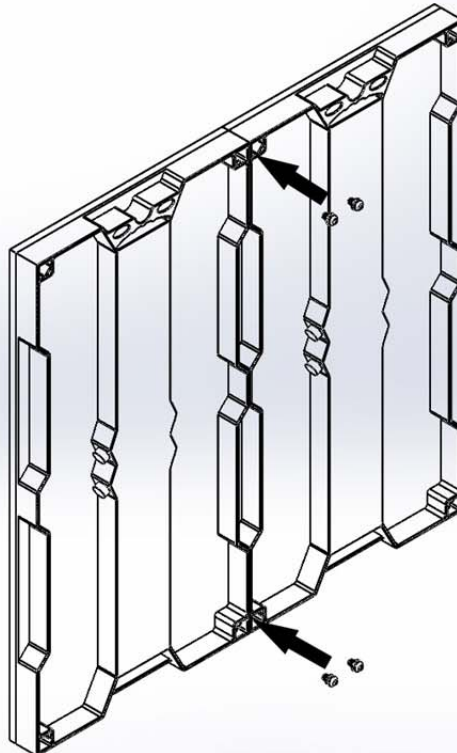
(X) X 2

9



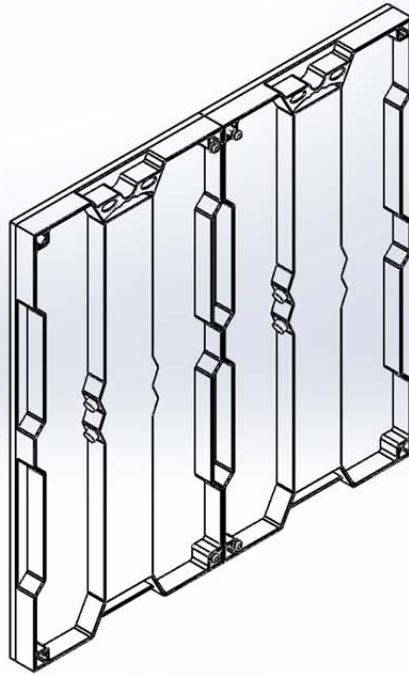
Refer to Appendix A

10

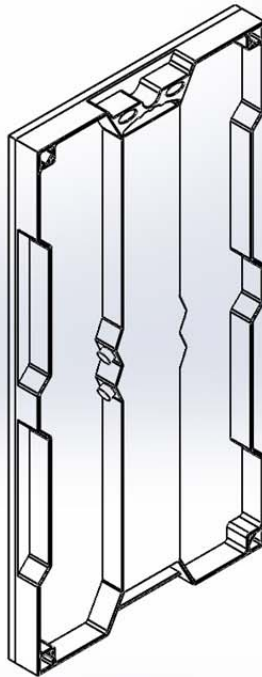


(Y) X 4

11

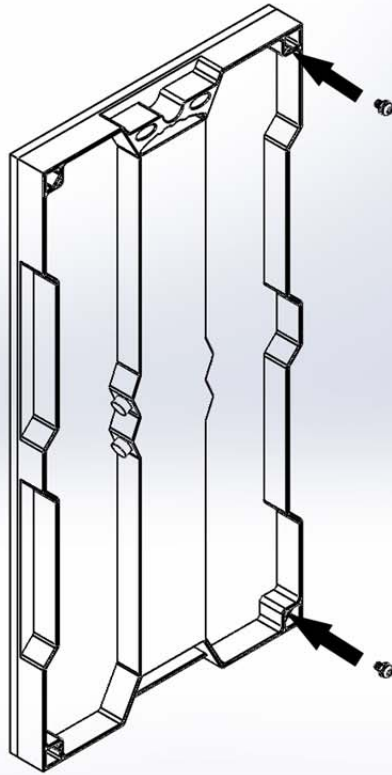


12



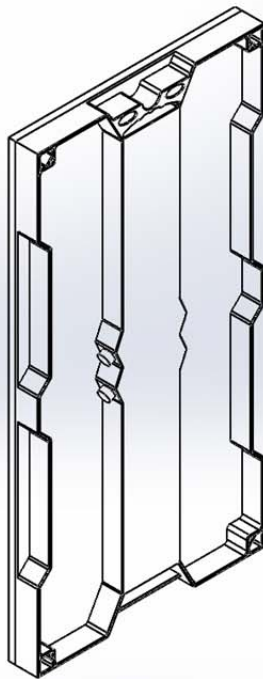
(X) X 1

13



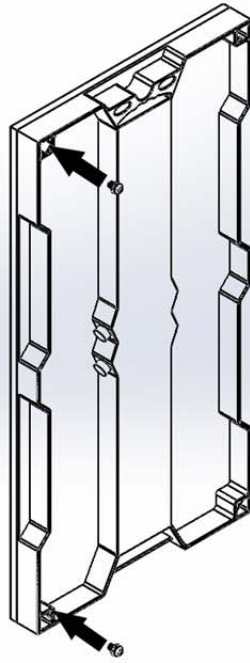
(Y) X 2

14



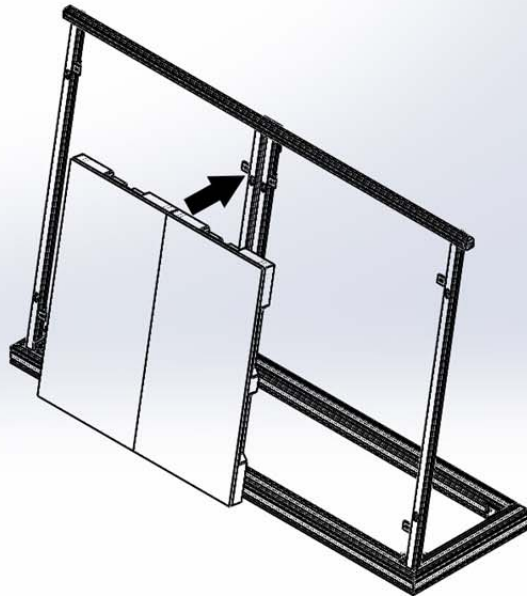
(X) X 1

15

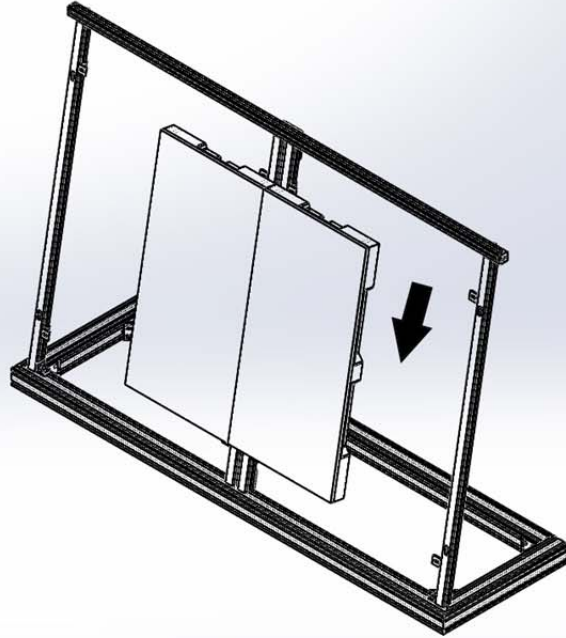


(Y) X 2

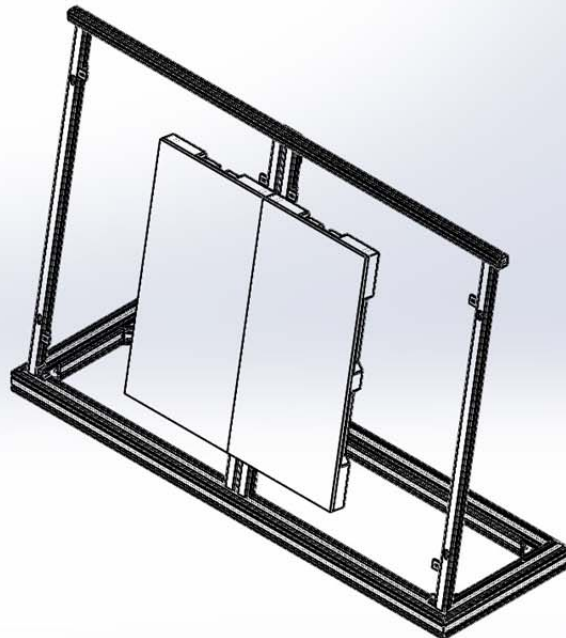
16



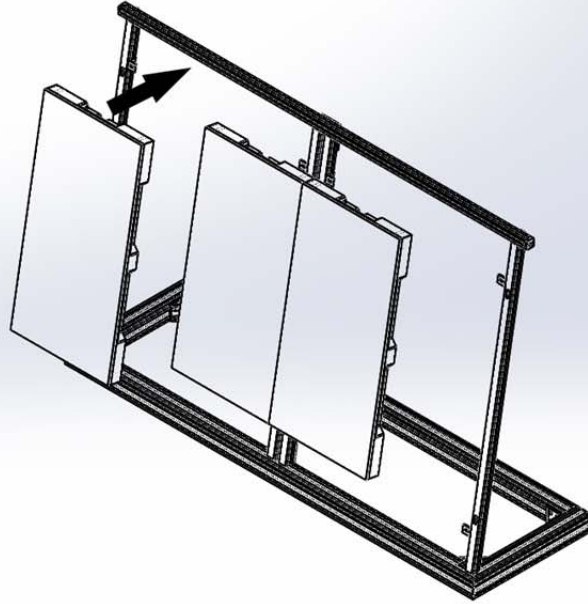
17



18

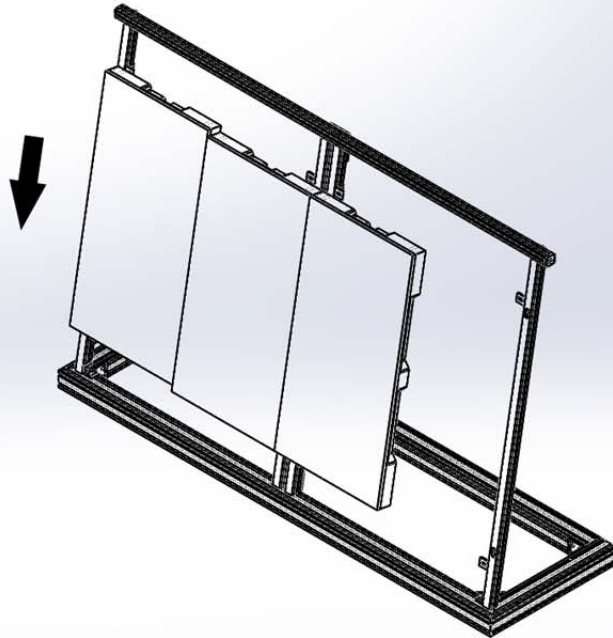


19

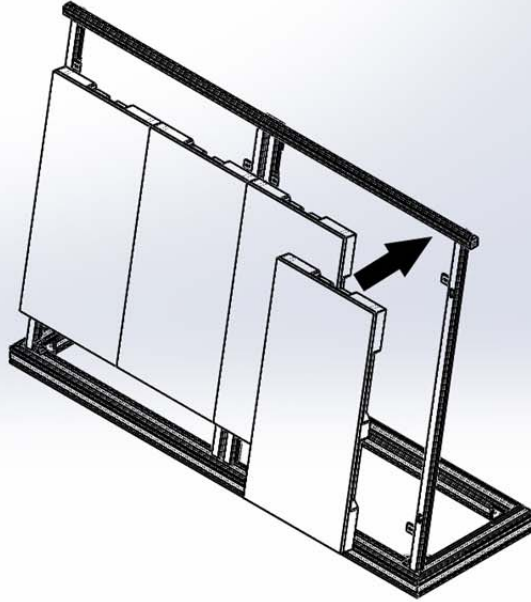


(Panel From Step 13)

20

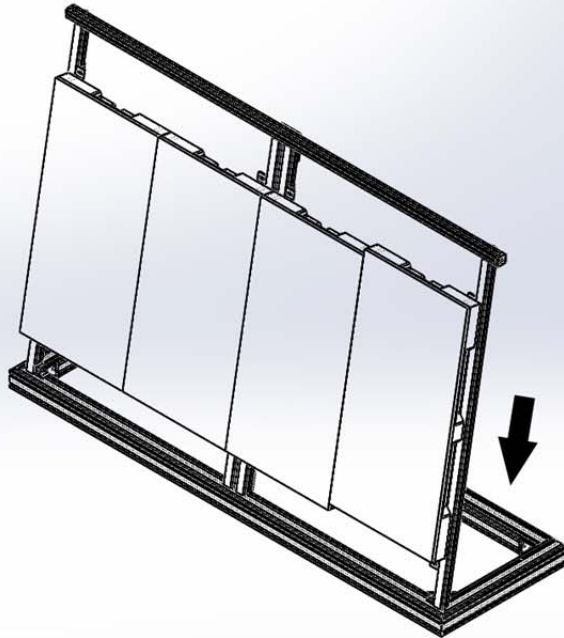


21

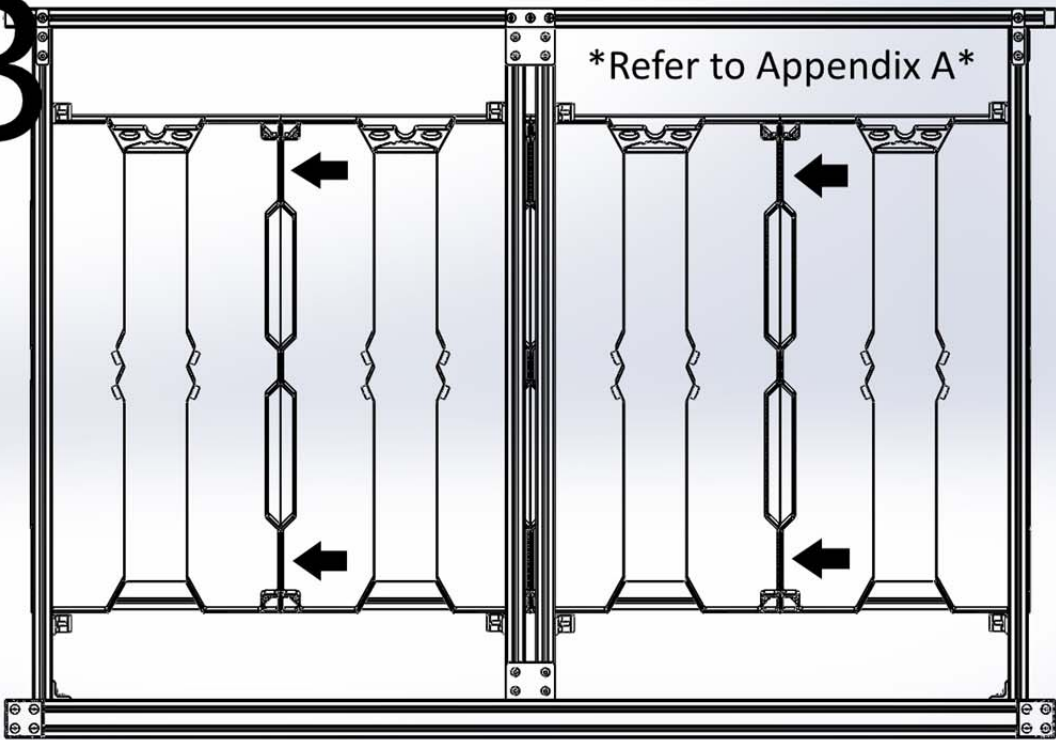


(Panel From Step 15)

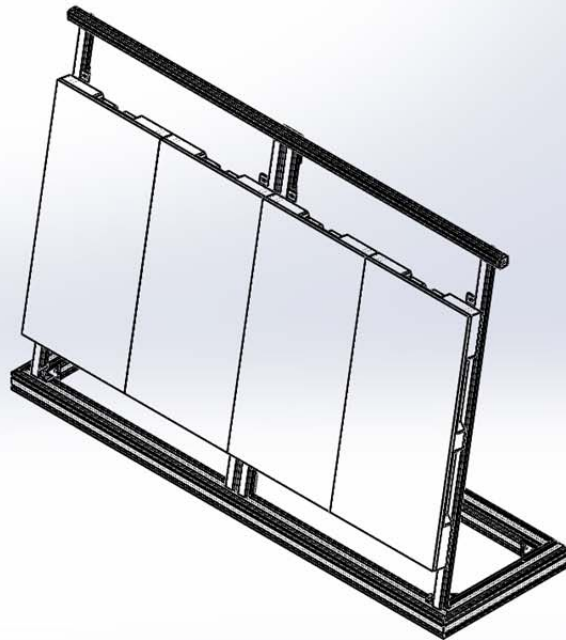
22



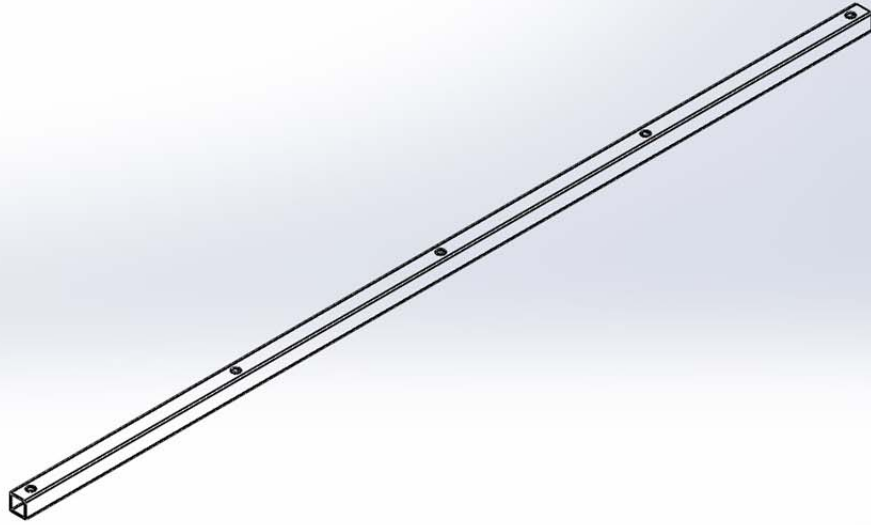
23



24

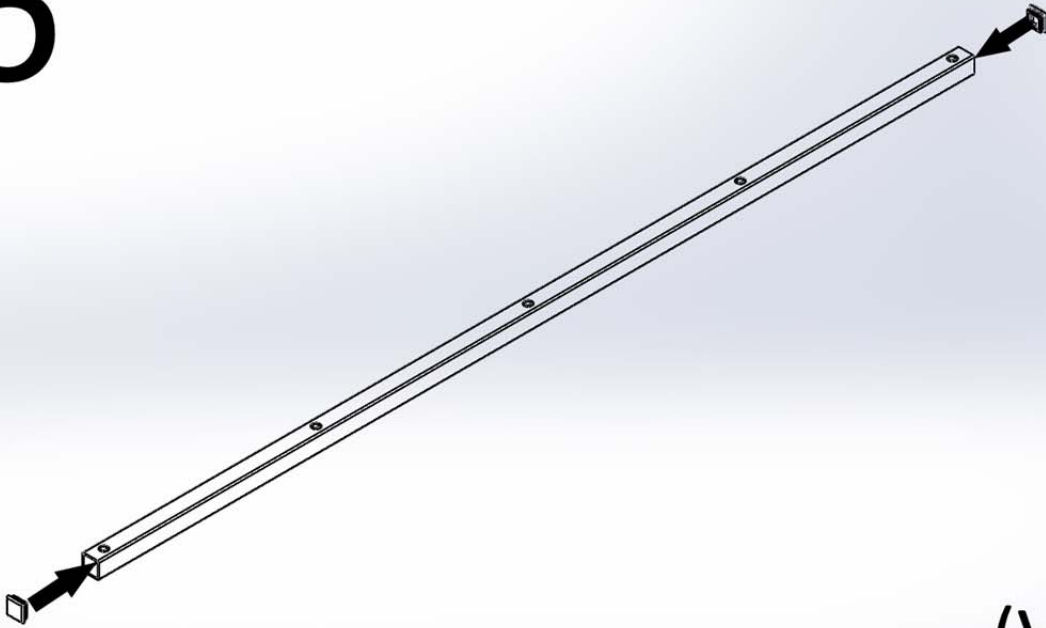


25



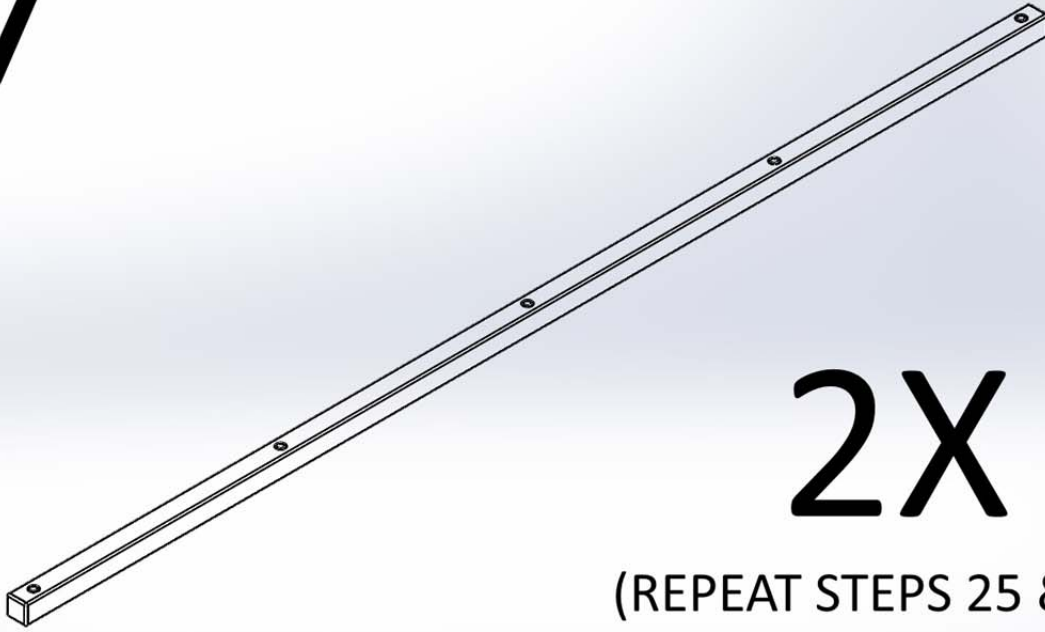
(F) X 1

26



(V) X 2

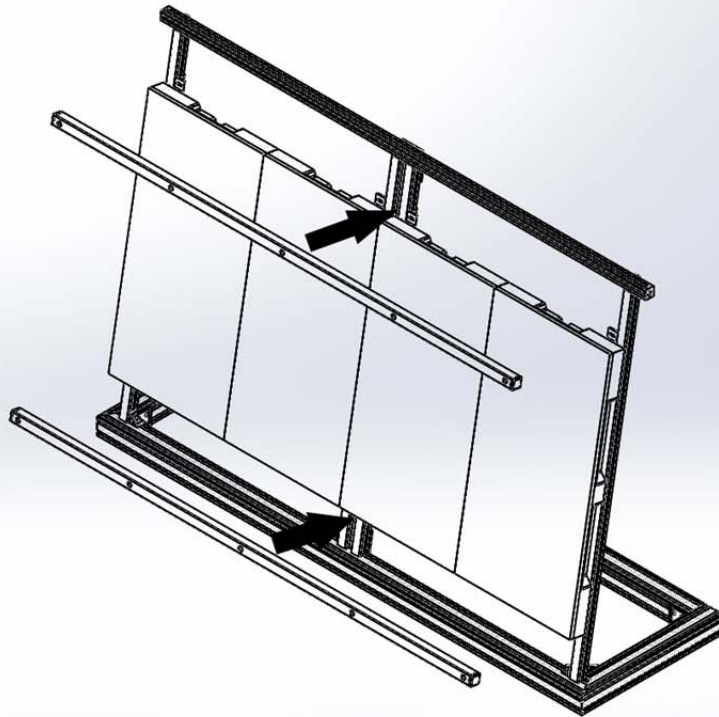
27



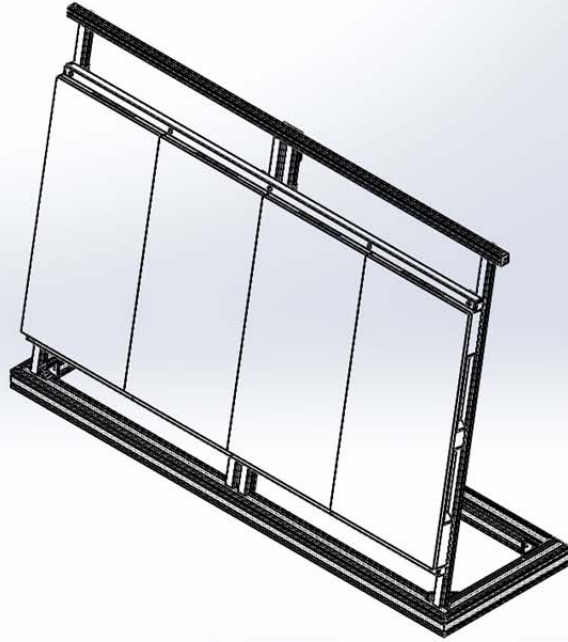
2X

(REPEAT STEPS 25 & 26)

28



29

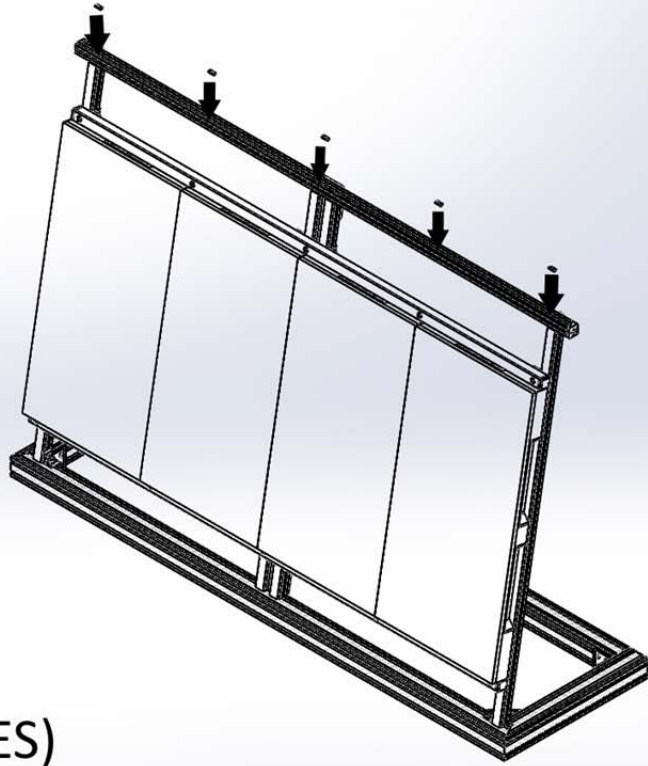


30



(S) X 8

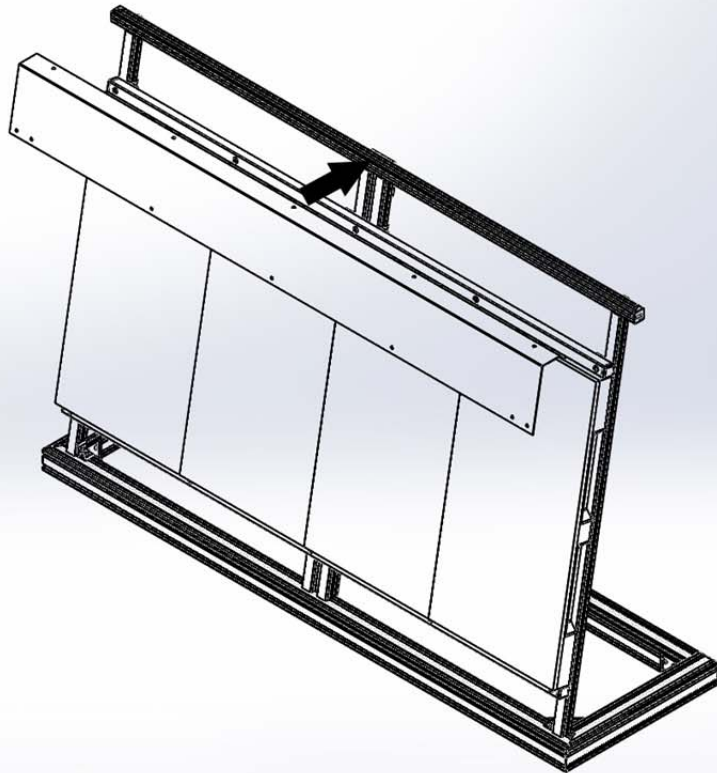
31



(REFER TO NOTES)

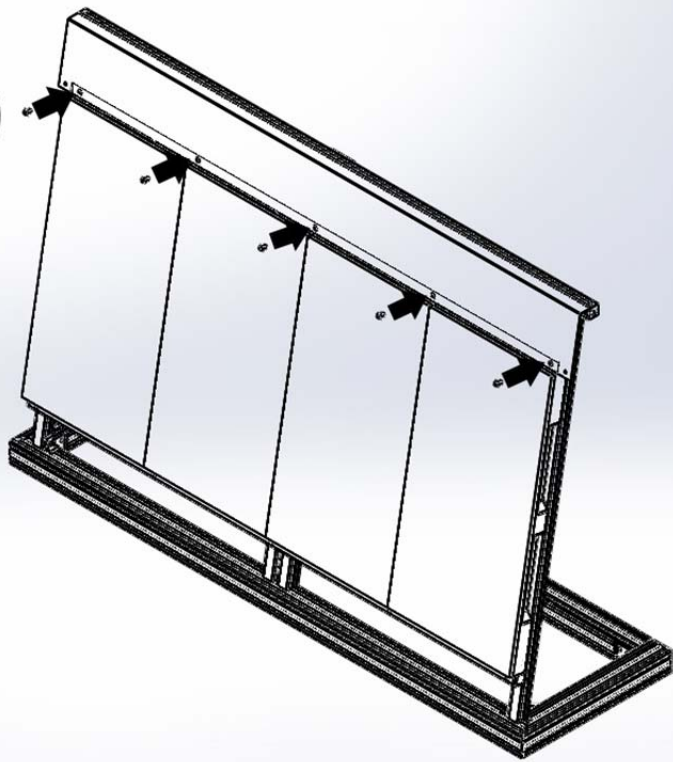
(O) X 5

32



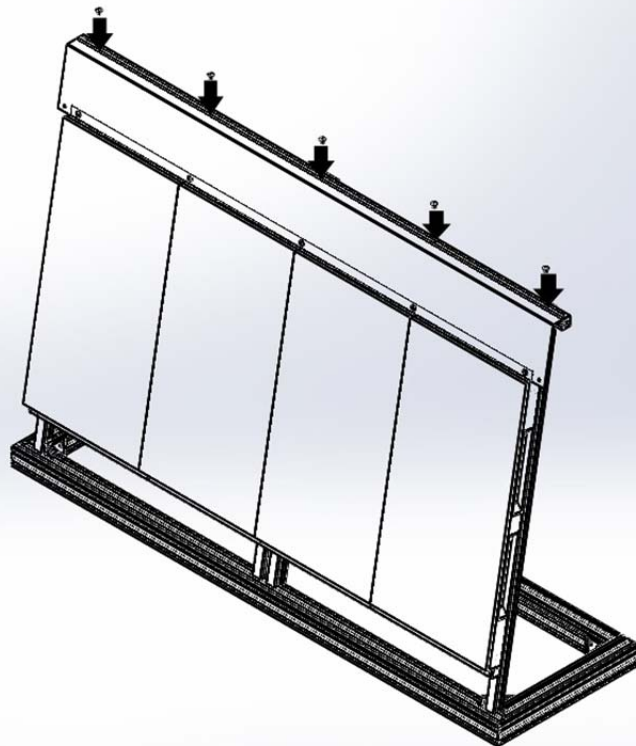
(K) X 1

33



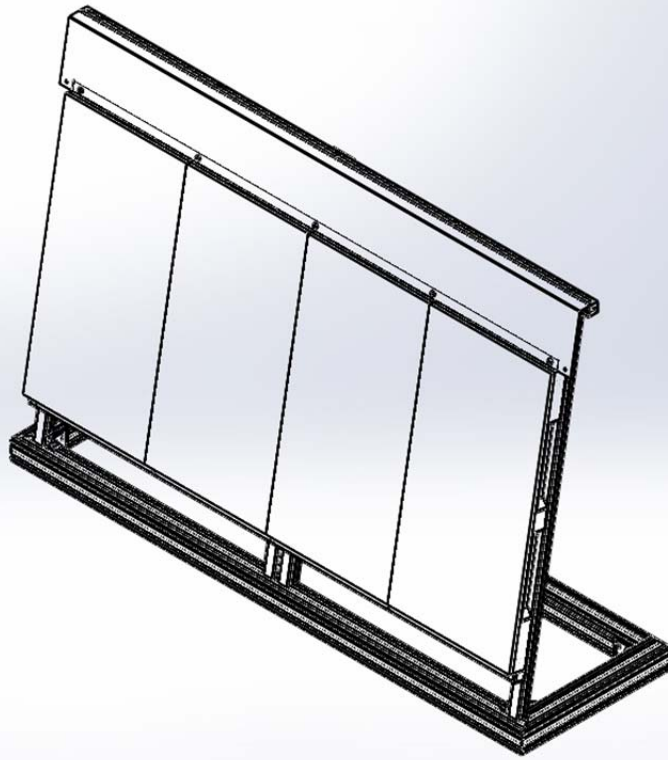
(T) X 5

34

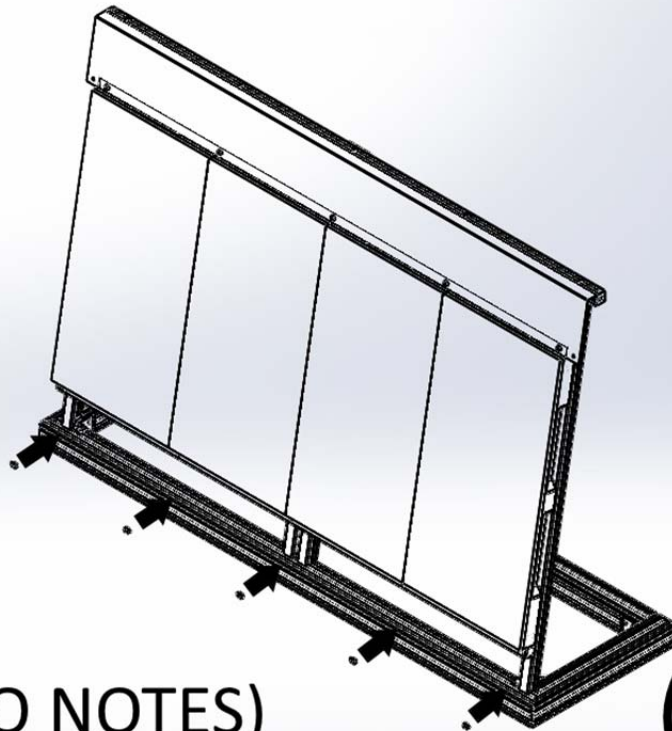


(T) X 5

35



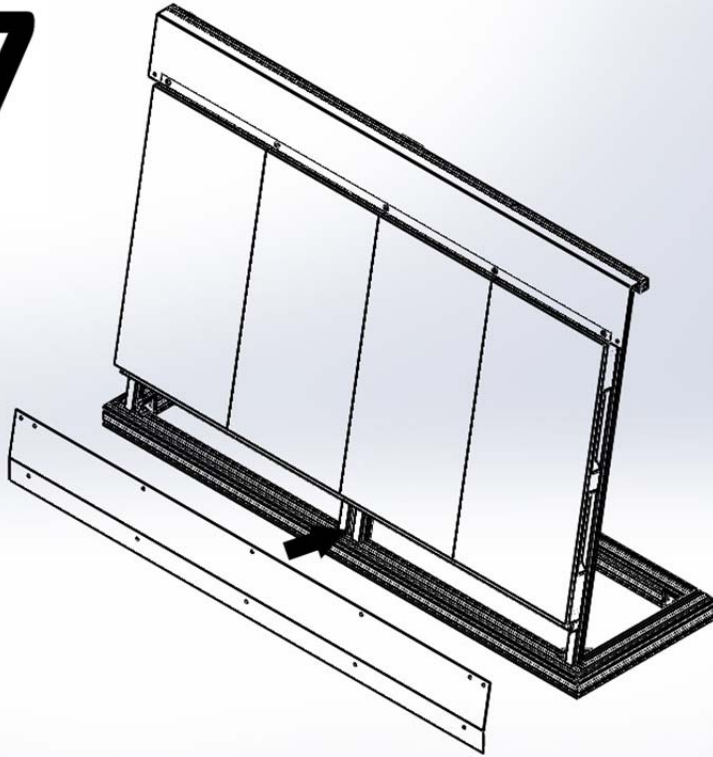
36



(REFER TO NOTES)

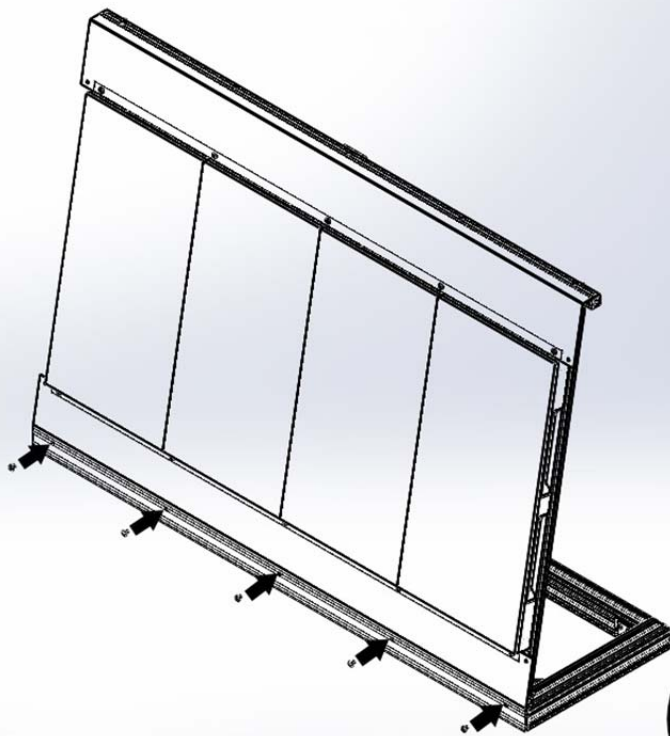
(0) X 5

37



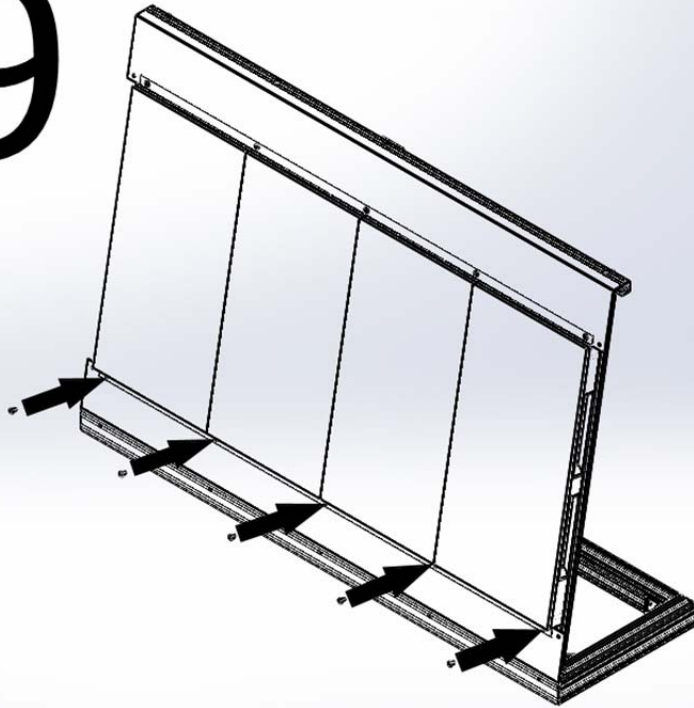
(L) X 1

38



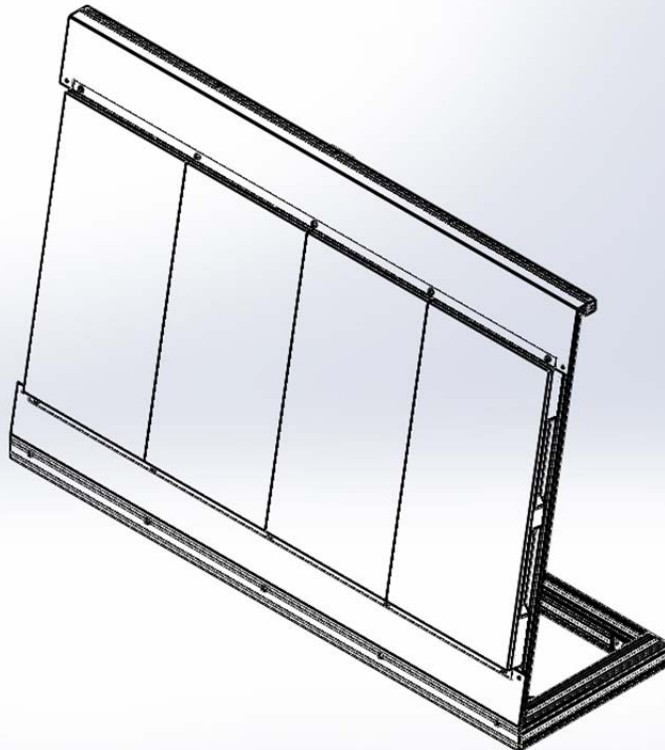
(T) X 5

39

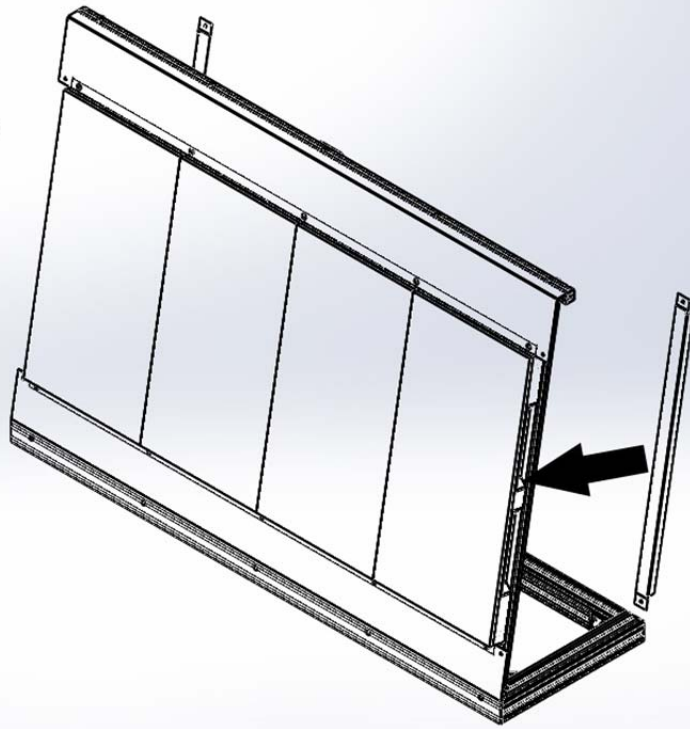


(T) X 5

40

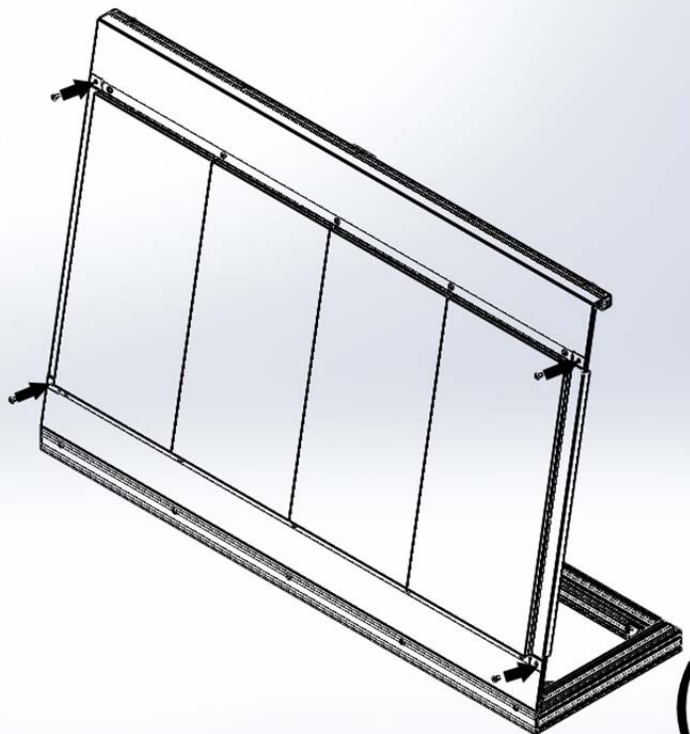


41



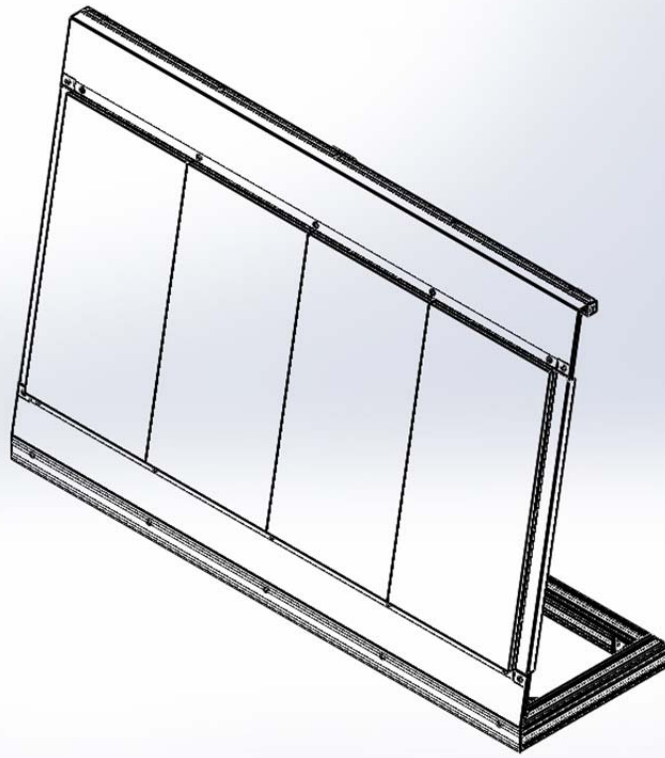
(J) X 2

42

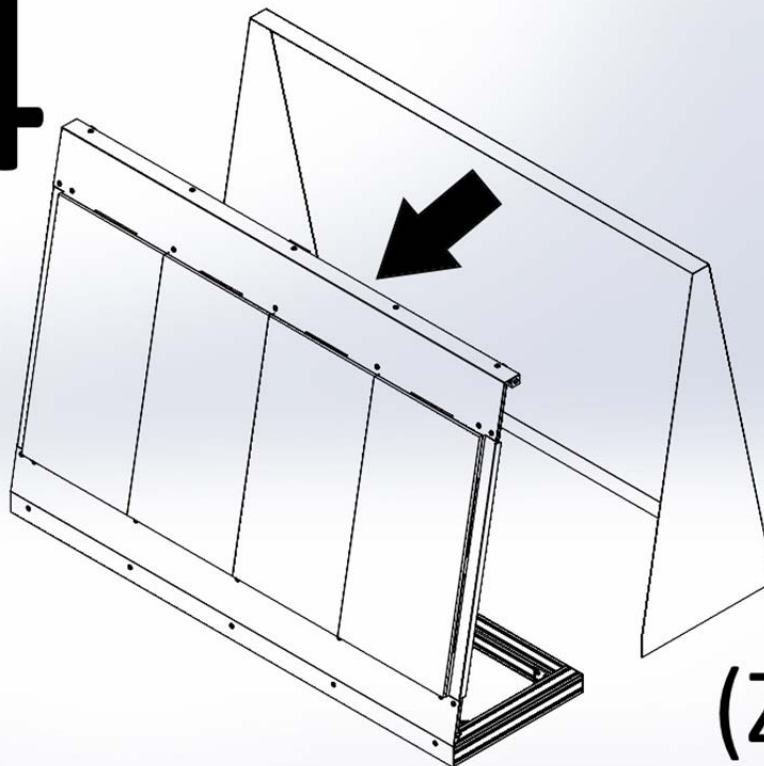


(T) X 4

43

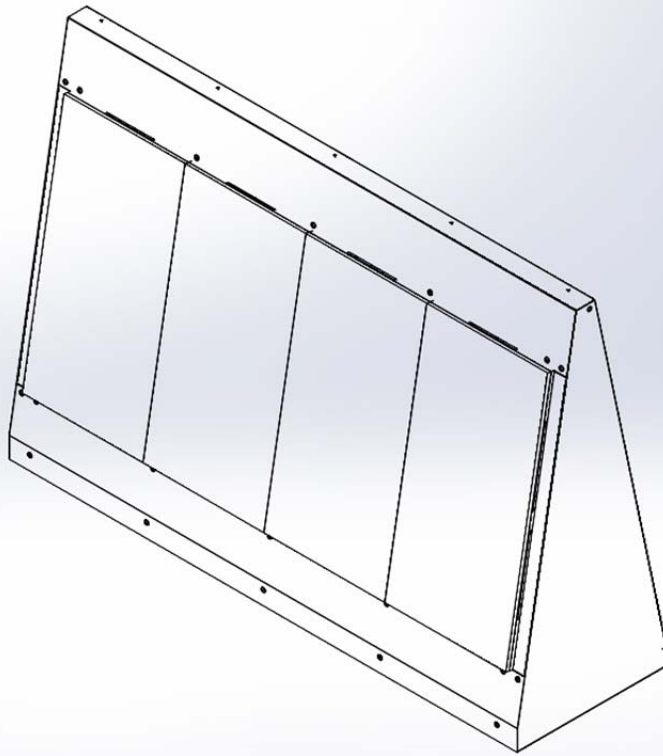


44



(Z) X 1

45



Assembly Complete