

## Field Event Packages Competition & Competition Elite

The FieldLynx software at the heart of the Competition Package enables the complete management of all your field events, including athlete check-in, scoring, results, and meet management integration. The package includes three Windows-based convertible tablet/laptop computers and all the software you need to administer three events simultaneously. This modular package can also be upgraded at any time to include a wide range of add-ons like displays, wind gauges, and electronic distance measurement (EDM).

Built-in compatibility with existing wired Ethernet networks enables a simple and robust connection to your existing infrastructure for downloading athlete information and uploading results. When site conditions allow, the package also includes the AirLynx infrastructure, which enables wireless communication between the FieldLynx computers and wind gauges, scoreboards, and external meet/scoring databases.

### Everything You Need

3x Windows Convertible Tablet/Laptops,  
Wireless Connectivity, Amplified Antenna,  
& All Necessary Cables and Software



The **Competition Field Event Package** includes two software programs that run on Windows:

- **FieldLynx** – Field Event Management Software. The world's most convenient, most portable, most flexible system for administering field events, from athlete check-in to results distribution.
- **ClerkLynx** – A simple and effective system for forming heats in the stadium at a location other than the main LynxPad event management site. ClerkLynx downloads athlete names, allows the operator to combine them into heats, and then uploads the new start lists back to the FinishLynx photo-finish system.

## Competition Elite Benefits

The Competition Elite package adds two key components to the Competition Package: a **high-visibility LED display** and a **World Athletics-compliant wind gauge**. Like the Competition Package, the Competition Elite provides everything you need to comfortably manage field events over a wired or wireless network.

World Athletics regulations require that any official marks in horizontal jumping events (long jump and triple jump) must be accompanied by wind readings. With this package, FieldLynx operators can instantly calculate and download wind information directly to each competitor's attempt record by simply tapping on an icon in the software. The stand-alone wind gauge kit has a weatherproof design and comes equipped with a battery pack, tripod, carrying case, and handheld controller with buttons and an LED screen.

The two SerialLynx wireless units included with the package allow the scoreboard and wind gauge to be operated wirelessly from a computer anywhere on the infield.

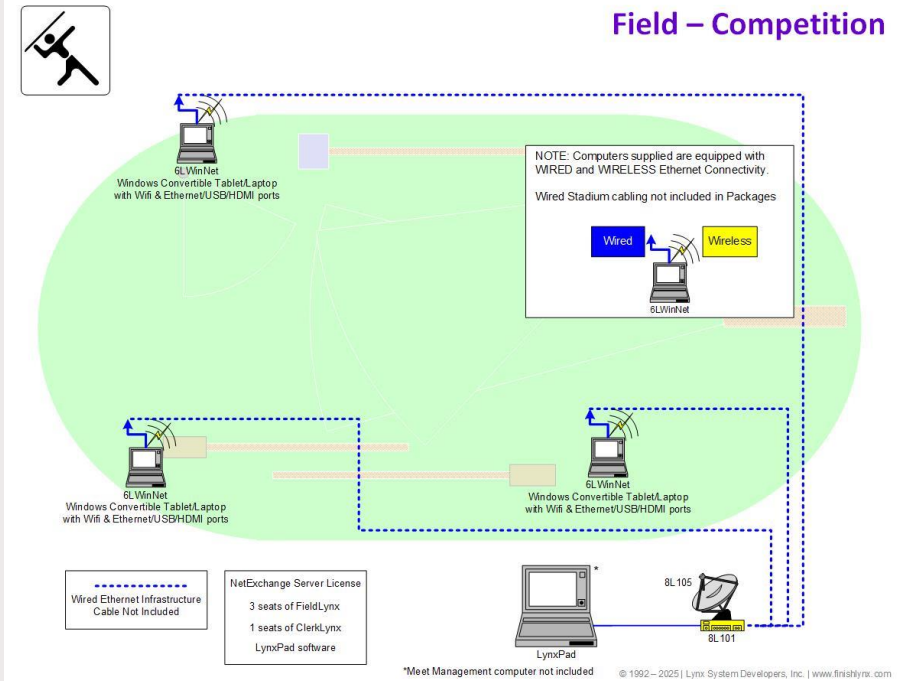


**SerialLynx** enables fast and secure wireless communication between the FieldLynx computers and the LED display/wind gauge. One unit connects to the LED display to show live marks and standings from FieldLynx while the other connects to the wind gauge to wirelessly pull live wind readings for jumping events.

**NetExchange** is a field event results server that allows FieldLynx and ClerkLynx devices to send database files to and from a meet management computer. The NetExchange server software acts as a network gateway between field event scoring devices and the meet management computer running LynxPad, Hy-Tek, or another meet manager. Devices connect via a wired or wireless connection so event scoring data can be transferred from events across the infield.

## Components: Field Competition Package

- **3 Windows Convertible Tablet/Laptop Computers** (with Wi-Fi & Ethernet, USB, HDMI ports)
- **3 seats of FieldLynx Field Event Administration Software**
- **1 seat of ClerkLynx Remote Clerking Software**
- **AirLynx Wireless 802.11 Gateway and Amplified Antenna Kit**
- **NetExchange Field Event Server License**
- **LynxPad Meet Management Software** Available in multiple languages
- **Access to Complete Technical Support**



## Components: Field Competition Elite Package

- **3 Windows Convertible Tablet/Laptop Computers** (with Wi-Fi & Ethernet, USB, HDMI ports)
- **3 Seats of FieldLynx Field Event Administration Software**
  - **Scoreboard Interface** Plug-in for FieldLynx
  - **Wind Gauge Interface** Plug-in for FieldLynx
- **1 Seat of ClerkLynx Remote Clerking Software**
- **NetExchange Field Event Server License**
- **Ultrasonic Wind Gauge with Battery Pack**
- **1 (7-Digit) 10" LED Display** with Tripod
- **AirLynx Wireless 802.11 Gateway and Amplified Antenna Kit**
- **2 Wireless SerialLynx units (RS232 to Ethernet convertors)**
- **LynxPad Meet Management Software** Available in multiple languages

