

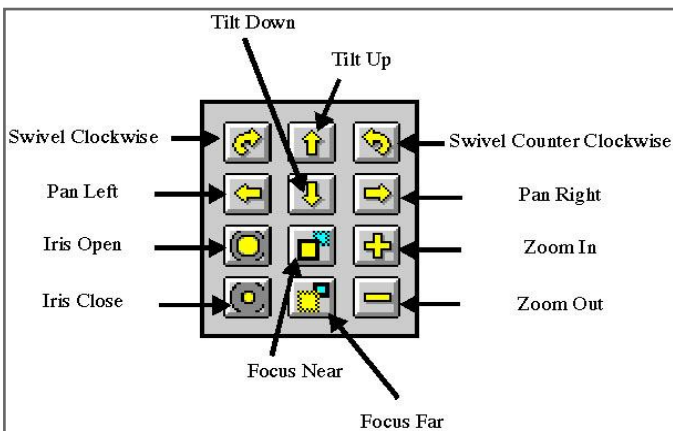


Better Images & Camera Control

The **Silver Package** is the most popular FinishLynx system configuration because it offers increased image quality and dramatically improved ease-of-use for camera operators. Capturing photo-finish images at up to 2,000 frames per second means higher resolution images with greater time precision. This makes it easier for timers to quickly and accurately evaluate results, then move on to the next heat.

The **Remote Lens** and **Remote Positioner** upgrades allow timers to precisely adjust the position of the camera and lens settings directly from within the FinishLynx software. Need to fine-tune the camera alignment or lens aperture and focus during the meet? Just a few clicks in the software are required to remotely adjust the lens/camera to get clear pictures and accurate results.

Combining these remote features with the **Automatic Capture Mode** plug-in makes timing meets of any size a breeze. Just arm the event, turn on capture, and record any finish line activity automatically.



Components

- **EtherLynx Vision Camera:** 2,000 frames/second, timer-enabled, fully-upgradeable
 - **High-Resolution Upgrade for 2,000 fps capture**
 - **C-Mount f1.2, 8-48mm motorized zoom lens**
 - EasyAlign™ Full-Frame Video Alignment Mode
- **Remote Lens:** control *Focus, Zoom, Iris*
- **Remote Positioner:** control *Pan, Tilt, Swivel*
- **Automatic Capture Mode (ACM) Plug-In**
- Wired Start System & Capture Button
- Tripod and mounting hardware for precision adjustment
- All-inclusive Power, Ethernet, & Start Cable Set
- Full access to Lynx Technical Support
- 1-Year renewable warranty
- **FinishLynx32** – Photo-Finish Software
- **LynxPad** – Event Management Software

Silver Package: \$11,495

Remote Lens & Remote Positioner Included



Simplify Your Race Timing with Remote Control & Automatic Capture



Since finish line cameras are often mounted well above eye-level, the **Remote Lens** and **Remote Positioner** upgrades ensure the camera is easily accessible and adjustable. These motorized accessories allow operators to make mid-meet adjustments quickly and easily to account for changes in glare, shadows, or camera positioning. A simple click on the remote icons will adjust the lens or field-of-view without having to climb a ladder to reach the camera.

With high-resolution images, athlete identification becomes all the more certain. Even the best hip numbers can fall off or be obscured during races. In such situations, the next best thing is the ability to make a quick and accurate assessment of an athlete's identity based on their uniform or other identifiable features — all of which are easily visible at up to 2,000 frames/second.

Certified FAT Results with the Silver Package

Automatic Capture Mode Plug-In

The Automatic Capture Mode (ACM) plug-in for FinishLynx enables the software to detect and record all finish line activity **automatically**. Operators no longer need to use the Capture Button to record photo-finish images. The ACM plug-in will also allow the camera to be used as a “virtual photo-eye” that can control displays at the venue – stopping the running time clock for splits and unofficial finish times.

Lynx packages provide all the FAT accessories needed to produce clear, accurate results at meets of any size. With FAT results that are precise to within 1/1000th of a second, the **Silver Package** satisfies the NFHS rule:

“...all ties for place finishes and/or determining qualifiers for a subsequent round shall be broken by using timing to one one-thousandths of a second if the system allows.”(NFHS.org)

Why Upgrade to Silver?

Includes everything from the **Bronze Package**

PLUS

- Remote Lens
- Remote Positioner
- High-Resolution Upgrade
- Auto-Capture Mode (ACM) Plug-In

“I love, love, LOVE the Auto Capture of FinishLynx. Makes my timing a breeze.”

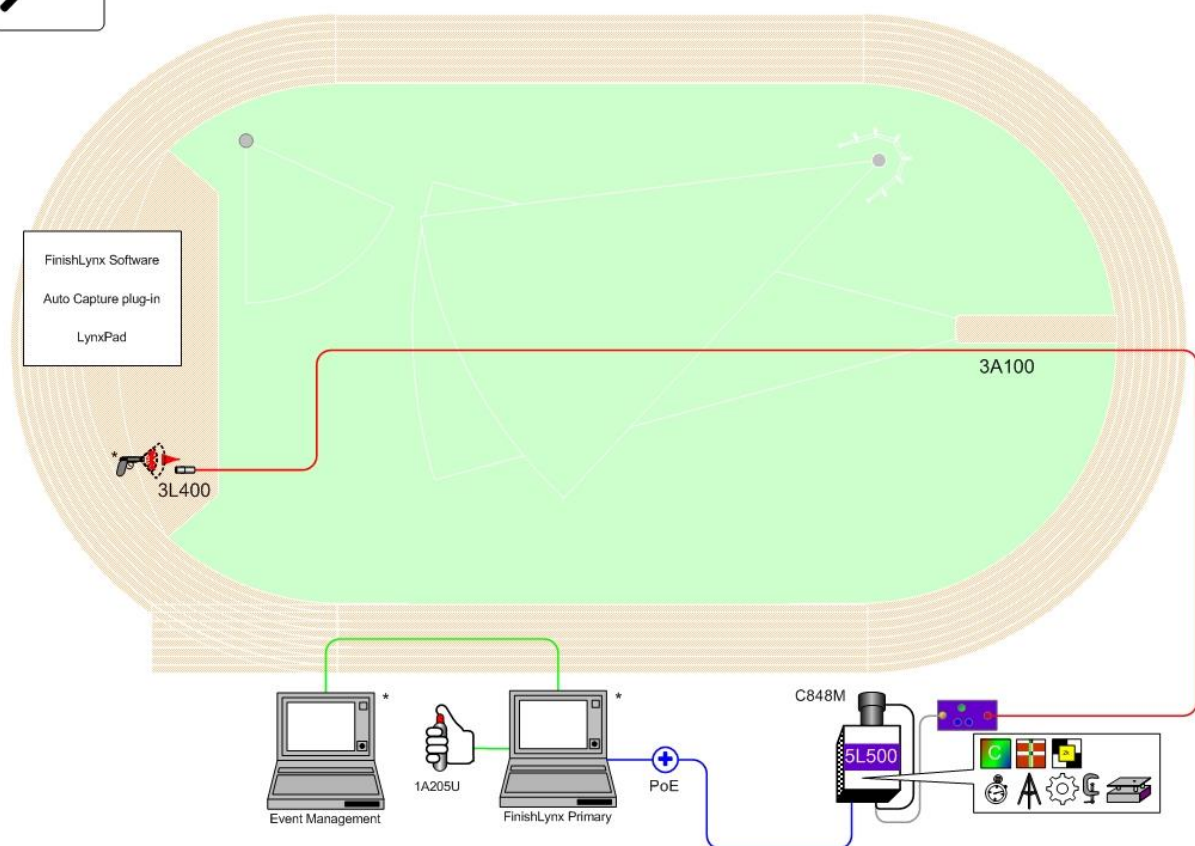
– Peter U.

“Once we got [ACM] we have never missed a finish. It makes completing the results faster also.”

– Kevin J.



Silver - Track



* Computers and starting pistol not included in package

© 1992 - 2017 | Lynx System Developers, Inc. | www.finishlynx.com