



Gold Package



The Gold Package is the most comprehensive rowing and paddling timing solution available today. Not only does this system include the high-resolution **EtherLynx Vision PRO** camera, but the advanced split timing and network components provide more options for professional data capture, display, and distribution.

This package comes with the RadioLynx wireless start system, EtherLynx Vision cameras for each split location, plus a Remote Positioner for each Vision camera. It also includes ResultTV live results display software and several FinishLynx plug-ins, all of which are seamlessly integrated for fast and error-free results.

The EtherLynx Vision split cameras contribute to sprints and head races because they provide a convenient solution for measuring individual split-times, even at long distances.

The ResultTV software allows you to send your real-time data to any network displays, and from the administration tent to the announcer or broadcaster booths. The Gold Package integrates all these components to create a photo-finish solution fit for even the most advanced rowing and paddling events. Discover why federations around the world trust FinishLynx.

Components

- **Finish Camera: EtherLynx Vision PRO**, color, timer-enabled, **1,000** fps, **Wi-Fi** enabled, Extended Zoom for up to **2,048** vertical pixels
 - **EasyAlign** 2-D Video Alignment Mode
 - **Internal RadioLynx**
 - **On-Board Level & Electronic Filter Control**
 - **LuxBoost** Low-Light Capture Mode
 - Remote Control 12.5-75mm C-Mount Zoom Lens
 - Remote Positioner
- Super Head Clamp, Geared Mounting Head, and Tripod for precision adjustment
- All-inclusive Camera with Capture Button, and USB-to-Serial Converter
- Custom carrying case

Advanced Timing and Network Tools

- **Split Cameras: EtherLynx Vision**, color, timer-enabled, 500 frames per second, 1,000 vertical pixels
 - **EasyAlign** 2-D Video Alignment Mode
 - Remote Control 12.5-75mm C-Mount Zoom Lens
 - Remote Positioner
- Super Head Clamp, Geared Mounting Head, and Tripod for precision adjustment
- Extended Range RadioLynx Wireless Start System
- 10/100 base-T 8 Port Switch and Button Splitter

Custom Lynx Software and Plug-ins

- **LynxPad** – Race management software
- **ResultTV** – Data-display program for professional graphics and results output
- **FinishLynx** – Multi-language* photo-finish software
 - RadioLynx Plug-in
 - Network COM Port (NCP) Plug-In
 - Multi-Split Plug-in

* See Website for current listing. FinishLynx available in English, Spanish, French, Arabic, German, Italian, Korean, Portuguese (Brazil), Russian, Swedish, Finnish, Chinese (Simp.), Chinese (Trad.), and Japanese

Gold Package Features

- EtherLynx Vision cameras equipped with Remote Positioners allow operators to capture and integrate real-time splits throughout the entire course.
- ResultTV display software allows you to send live results and race data to compatible video boards.
- The open-interface design allows seamless integration with third-party components like starting lights & displays.



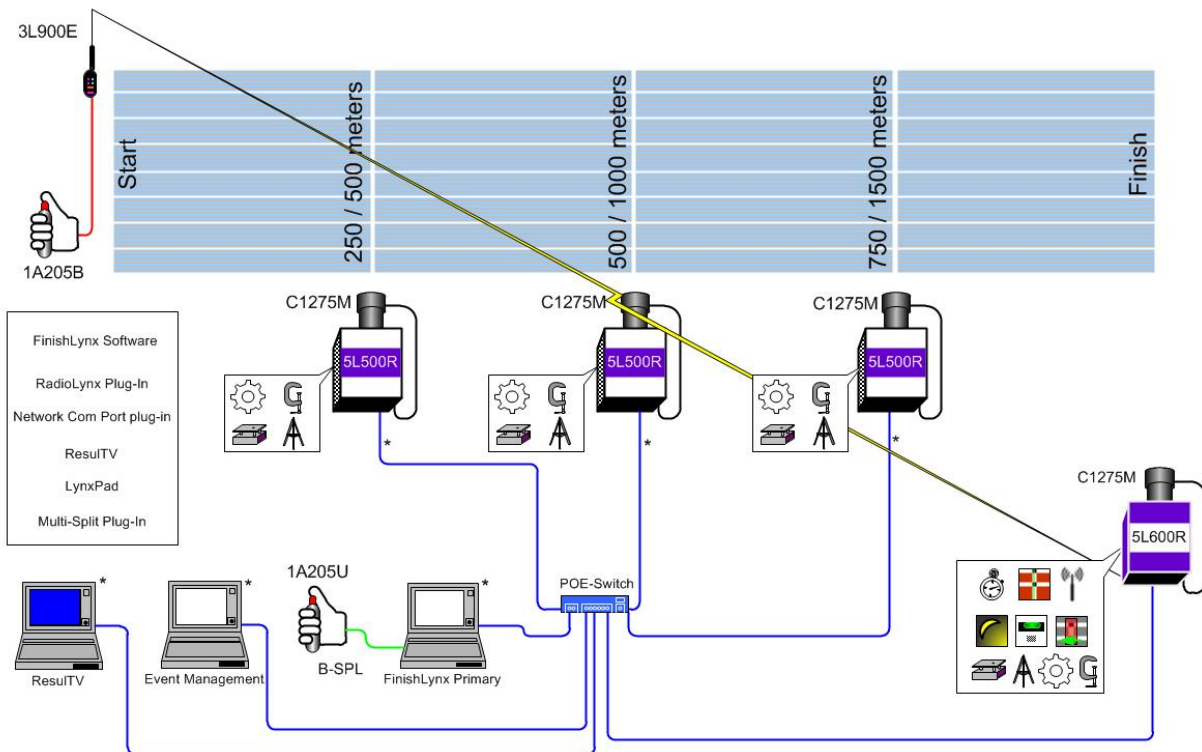
The Rowing Gold Package

The EtherLynx Vision cameras can be placed at intermediate locations throughout the course for precise, real-time splits. In addition, each camera comes equipped with a Remote Positioner making the placement and alignment of each camera easier than ever. The data is compatible with all types of scoreboard displays.

These advanced timing and network components provide an unprecedented amount of control and mobility. Operators will enjoy the Vision PRO color camera and RadioLynx wireless start. The package also includes the Multi-Split software plug-in to manage the split cameras and Network COM Port (NCP) plug-in for intra-network communication. All the components are compatible with the FinishLynx timing software for seamless integration across the photo-finish results network. Without question, the Rowing and Paddling Gold Package is the most advanced and complete solution available today.



Rowing - Canoe - Kayak – Gold



* Computers and wiring to split points not included in package