






EtherLynx 2000+ Quick Start Guide - 10BaseT - SWITCH

Setup 1

NOTE: This list is intended as a checklist to help you keep track of your progress. For full instructions, cautions and other important information, you must read the relevant sections contained in the manual and current Release Notes.

Step 1 Install the **FinishLynx 32 software** on your computer. Make sure you enter the Serial Number exactly as it is entered on your installation disks. Do not forget any hyphens etc..

Figure 1 EtherLynx 2000 Plus System Components

	Camera
	Connection Box
	Connection Box Cable
	Start Sensor
	Capture Button and Cable

Step 2 Disable **Windows Firewall (and any Anti-virus software)** on your computer. (Select **Start: Control Panel: Windows Firewall**)

Step 3 Disable **Wireless Network Card (WLAN)** on your computer. (Select **Start: Control Panel: Network and sharing: Change Adapter Settings**) Right click on the Wireless Card and choose **Disable** from the list of options.

Step 4 Assign a **Static IP Address** on your computer. (Select **Start: Control Panel: Network and Sharing: Change Adapter Settings**) Right click on the Local Area Network Connection (LAN) and choose **Properties**.

Select Internet Protocol Version 4 (TCP/IPv4) from the list and click on **Properties**. This will bring up a dialog box similar to the one shown on the right hand side of Figure 2.

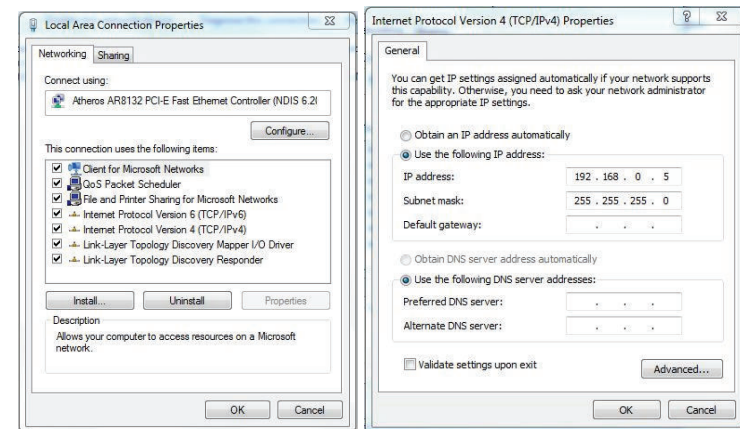
Select the radio button for **Use the following IP Address**. Enter the following IP address: **192.168.0.5** and hit **Tab** to fill in the **Subnet Mask** as **255.255.255.0** shown in the dialog box shown on the left side of Figure 2 Network Control . Click OK and exit the Control Panel.

We suggest that the settings in **Internet Protocol Version 4 (TCP/IPv4)** should be set to the values in the **Properties** dialog as shown in Figure 2:

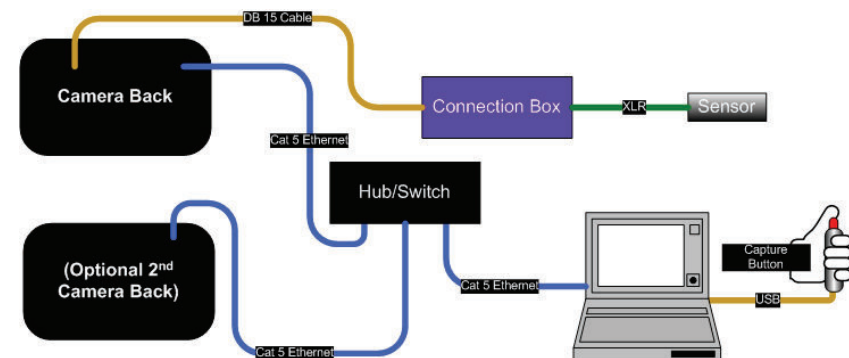
- **IP address – 192.168.0.5**
- **Subnet Mask - 255.255.255.0**

NOTE: After making changes in these settings you will need to restart your computer before they will take effect.

Figure 2 Network Control Panels (see other side for note for Windows 8 users)



Step 4 **Connect the Hardware** - see other side of sheet for full instructions



- Connect the Camera(s) to the Computer using the network cables provided. Make sure the Hub switch is set to "Yes."
- Connect the Capture Button to the COM port (USB to Serial Adapter) of your computer.
- Connect the Connection Box to a Camera with the cable provided (with the DB15 connectors on each end).
- Connect the Start sensor to the Connection Box with the start signal cable provided (XLR3 connectors on each end).
- Connect the camera(s) to a power source. (Do not power up yet.)

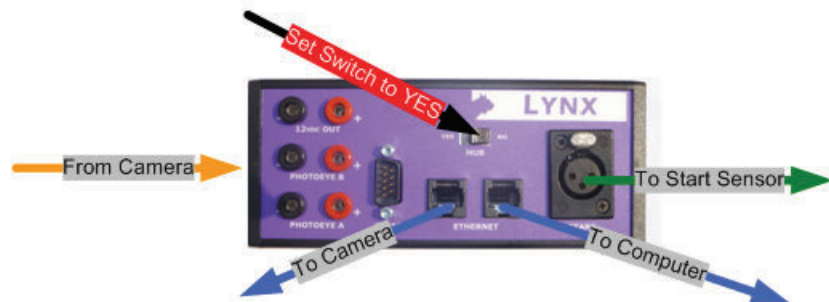


Cat 5 Cable
(Color may vary)



DB 15 Connection Box
Cable

Figure 3 Connection Box

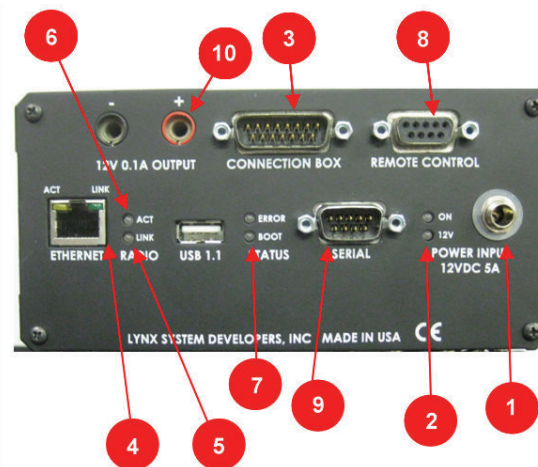


Step 5 Restart your computer if you have not done so since making changes in the Network Settings.

Step 6 Plug in the power to the EtherLynx Camera

Step 7 Start the FinishLynx Software by clicking on the FinishLynx icon. Click OK when error, "Capture button serial port unavailable; keyboard capture will be used.", appears on the screen

Figure 4 EtherLynx 2000 Plus Camera (back view)



1. 12 Volt Connection
2. Power Indicator Light
3. Connection Box Output
4. Cat 5 Ethernet Connection
5. Ethernet Link Light
6. Ethernet Activity Light
7. Boot Status Light
8. Lens and Remote Positioner Control
9. DB9 Serial Connection
10. 12 Volt Output

If I Did Everything Correctly, What Should Happen?

- The Link Light next to the 10baseT connector turns green when the camera is connected to an Ethernet network with 10 baseT cabling and the camera detects a good link. The Activity light flashes amber when communicating.
- If this light is not on, check the position of the Hub Status switch on the connection box - Is it set to Hub:Yes? Also check to make sure the Ethernet cables are inserted completely.
- As the FinishLynx software communicates with the camera, the Boot light will flash amber and a series of green status bars will appear in the bottom right corner of the FinishLynx Hardware Control screen. If these bars do not appear, go back to the beginning of these instructions and check all the Ethernet connections. Once the camera boots the Boot light should turn green.

**Using Windows 8

If there is no Control Panel application icon on the Start screen, right click anywhere on the Desktop and in the bottom right an icon for All Apps appears. Click on All Apps and then scroll to the right and look for the **Control Panel** icon listed under the category **Windows System**. Once you are in Control Panel the steps are similar to those listed above (Windows 7)