



I.A.A.F. Rule 161 Clause 2

In competitions held under Rule 12.1(a), (b) and (c), the starting blocks shall be linked to an IAAF approved false start apparatus. The Starter and/or an assigned Recaller shall wear headphones in order to clearly hear the acoustic signal emitted when the apparatus detects a false start (i.e. when reaction time is less than 100/1000ths of a second). As soon as the Starter and/or an assigned Recaller hears the acoustic signal, and if the gun is fired, or the approved starting apparatus is activated, there shall be a recall and the Starter shall immediately examine the reaction times on the false start apparatus in order to confirm which athlete(s) is/are responsible for the false start. This system is strongly recommended for all other competitions.



ReactTime is a world's only completely wireless Championship False Start Detection System that can also be used as a modular Reaction Training System. Unlike some simpler systems, ReactTime has no "contact pads", and it cannot be tricked.

The system is easy to use and rugged. The battery or AC powered blocks are weatherproof and are designed to withstand the tough demands of a track environment.

When used as a stand-alone personal training system to help sprinters improve their starting technique, an individual ReactTime module can be used to record and display an athlete's gun-to-motion times to an accuracy of 1/1000th of a second.

The Competition ReactTime system detects false starts (as defined by IAAF rule 162.10 and USATF rule 60.18)-also to an accuracy of 1/1000th of a second-and instantly signals this information to the starter.

Components

- 8 Block Sensor units with Speaker Module
- 8 Block Sensor Clamps for mounting to most models of IAAF Approved Starting blocks
- False Start Command Center
- Wireless Hardware option on all Block Sensors and False Start Command Center
- Starter and Recall Starter's Headset and Microphone
- Line Printer for Reaction Times
- ReactTime False Start System Software License
- False Start Operating & Storage Unit
- ReactTime False Start System Power Supply & Charger
- 8 External Battery Packs for Block Sensors
- Transport Cases
- All Necessary Cables to allow wireless operation as well as wireless

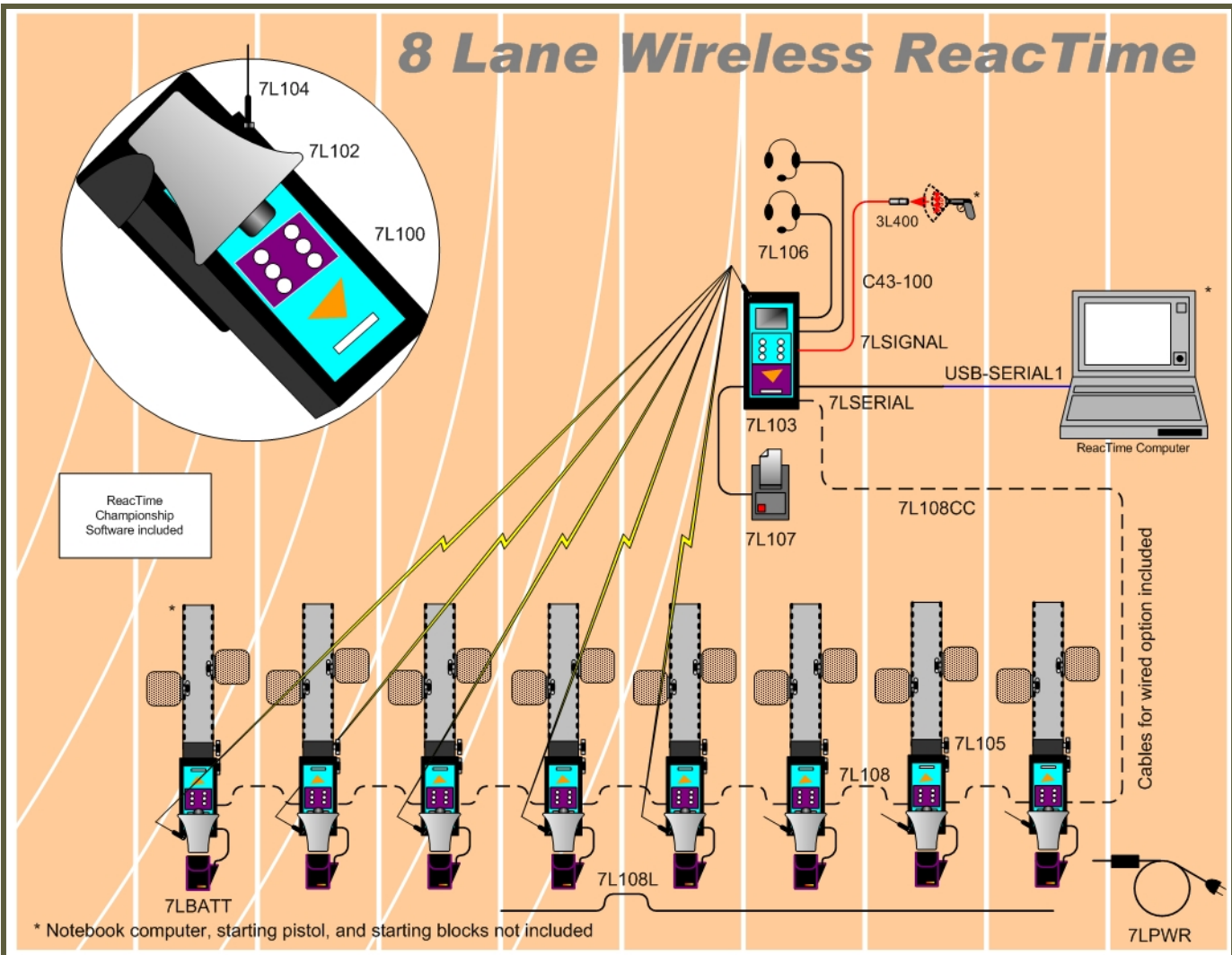
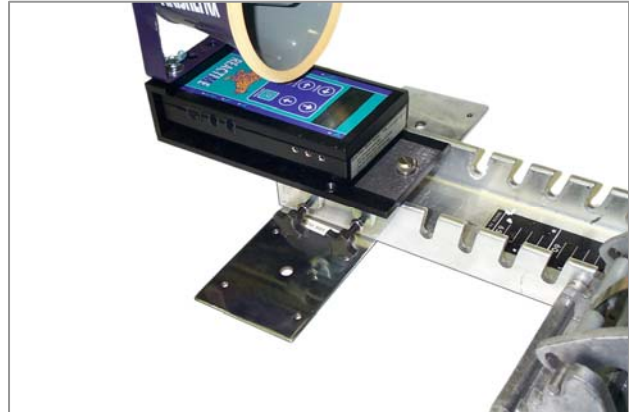
Software available in many languages: English, French, Italian, Spanish, Russian, German – other languages (even character based languages) are available

REACTIME

- Measures reaction times to 1/1000th of a second
- Detection mechanism clips to virtually every manufacturer's starting blocks.
- Control Center for the starter is lightweight and portable
- Battery operated and rechargeable, or AC powered
- All athletes hear the starter's commands or the sound of the gun simultaneously
- Includes all required cables as well as headsets for the starter and recall starter
- 100% integration with the FinishLynx timing system, including the ability to store the reaction time of the athletes in the Finishlynx results area and print with results
- Optional wireless adapters eliminate the need to lay out cables to each of the starting blocks
- ReactTime Software for Windows allows the power waveforms for all the athletes in a race to be graphed, compared, saved, and printed
- Paper tape printer allows reaction times of the athletes to be printed trackside for each race

REACTIME FOR TRAINING

- Same technology for Reaction-Time Training System and Championship False-Start System. Buy a Training System today and simply upgrade to the Championship System at a later date.
- Accurate to 1/1000th of a second
- Downloadable reaction traces for detailed start analysis
- Battery operated and rechargeable
- Clips to virtually any starting block
- Cannot be “tricked” like many other systems
- Training system starter commands can be personally recorded
- Rugged, weather resistant construction designed to withstand the rigors of everyday use
- The world’s top sprinters have shown that reaction times can be improved by training- and ReactTime can be the cornerstone of that training process
- Can be operated with an external starter giving the commands and the firing gun, or, with speaker option, can be pre-programmed to give the commands “On your marks”, “set” and a gun sound. The timing of the instructions is randomized within a programmable range.
- Two Personal Training Systems can be linked for competitive training. Can be connected to photoeyes or a FinishLynx system for total sprint timing.
- Protects your investment. Personal ReactTime units can be used as components of a full false start detection system



- Data from your entire workout, including power waveforms, can be stored in the unit and retrieved later on your own PC using the Personal ReactTime software

